

Parts & Service Manual

20 XPT • 25 XPT/XPL

Table of Contents	Page #
Standard Model Drawings	2
Trailer Set-Up	3
Decal Arrangement	5
Decal Listing	6
Axle: Dana D22, Less Hubs & Drums	7
Axle: Dexter D225, Less Hubs & Drums	8
Cam Shaft Determination Worksheet	9
Webb 8 Stud Hub Piloted Hub & Drum	10
Hutch 9700 Leaf Spring Suspension	11
Slack Adjuster Determination Worksheet	12
Ramps and Linkage (manual operation)	13
Electric Hydraulic Ramps w/counter balance locks	14
Monarch Power-pack for hydraulic ramps	15
Patented Roto-Ring and Fixed D-Rings	16
SAF Holland 2 Speed Square Jack	17
SAF Holland 2 Speed Landing Gear	19
Tires & Wheels	20
Eye Hitch Assembly	21
ABS Air System Drawing	22
ABS Parts Manifest	23
ABS 4S-2M Tandem Axle Air Schematic	24
ABS 4S-3M 25XPL Tri-Axle Air Schematic	25
Electrical Schematic - Air Brake Trailers with ABS	26
PLUS Harness & LED Lights	27
Cush Air Ride Suspension (CLC-25-005)	29
Cush Air Ride Suspension w Lift (CLC-25-005L)	30
25XPL Lift Air System (before Jan 2007)	31
25XPL Remote Lift Option (effective Jan 2007)	33
25XPL Lift Air System (effective Jan 2007)	34
Miscellaneous Parts	35
Tool Box Lids	36
Operation & Service Manual	Appended

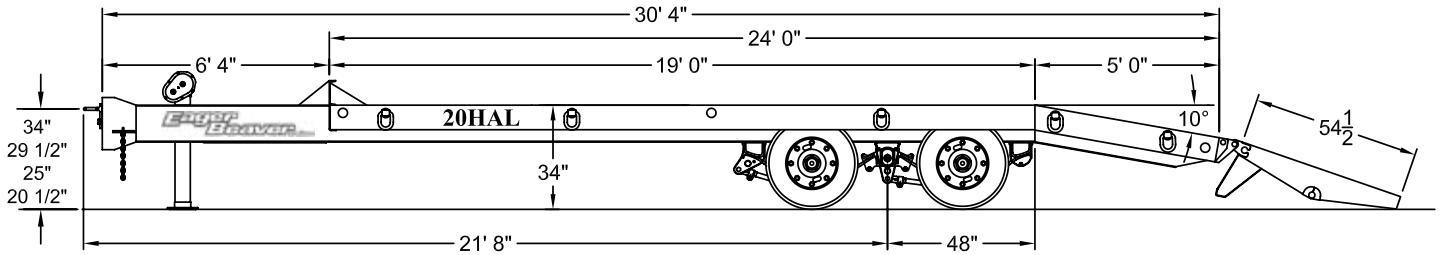
Parts
(800) 338-7088

Customer Service
(800) 722-8803
ext: 3251

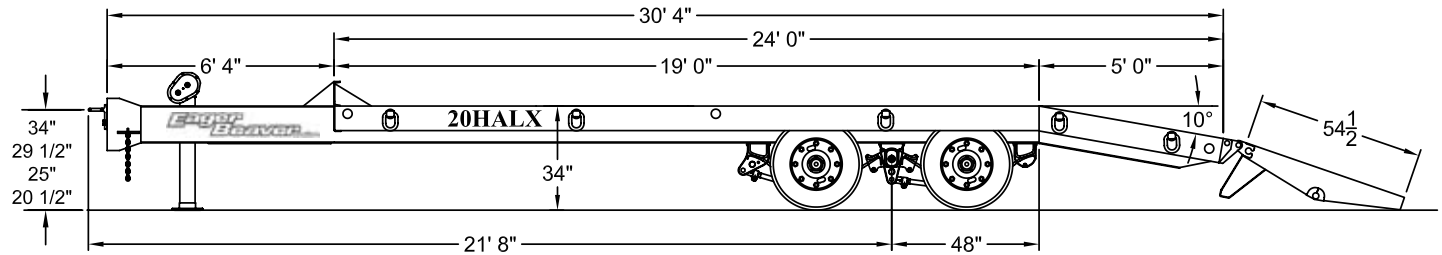
Sales
(800) 257-8163

Standard Model Drawings

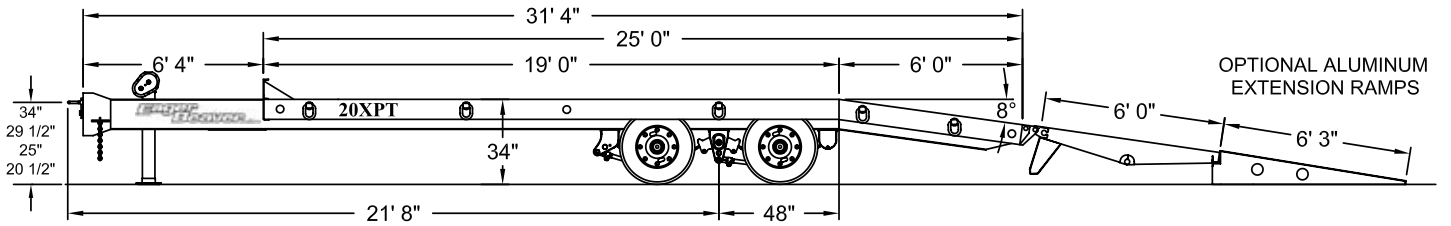
Model: 20 HAL



Model: 20 HALX

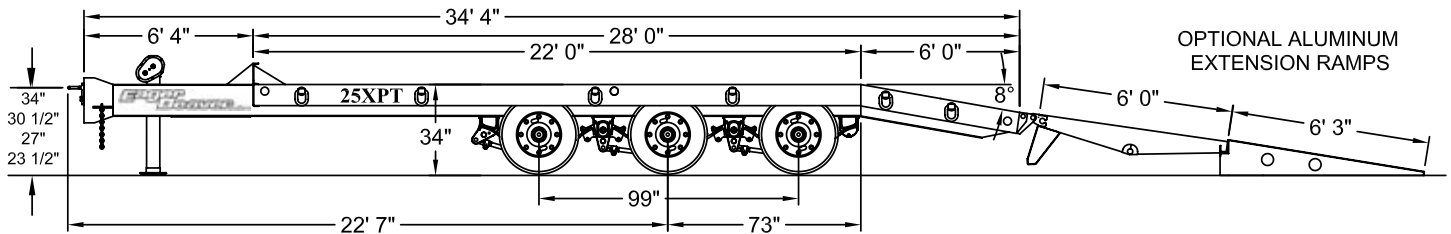


Model: 20 XPT



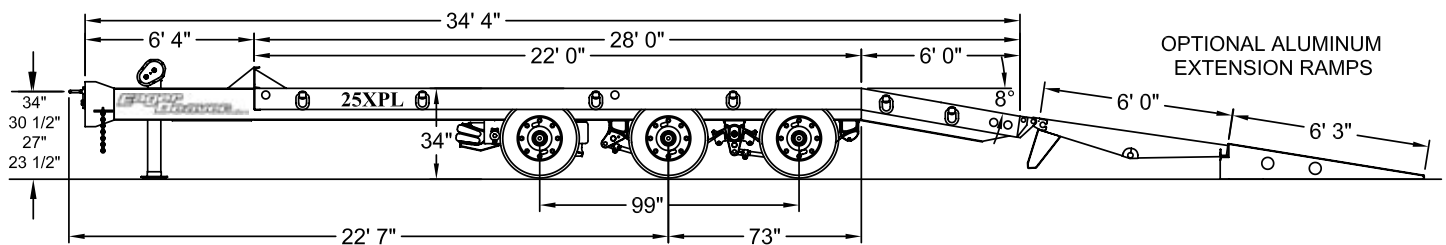
OPTIONAL ALUMINUM
EXTENSION RAMP

Model: 25 XPT



OPTIONAL ALUMINUM
EXTENSION RAMP

Model: 25 XPL



OPTIONAL ALUMINUM
EXTENSION RAMP

Trailer Setup

All Tow Behind Trailers

Setting up a trailer, especially a tow behind, has several aspects that are often not known or are misunderstood. Here is a description of the setup procedures for tow behind trailers.

Pre-Delivery Perform the described pre-delivery procedure for tow behind trailers. See the pre-delivery sheet provided with each trailer. You can request a copy from customer service.

Tow Hitch We will assume that the tow hitch is already installed on the tow vehicle. It is important to make sure that the tow hitch is completely compatible with the trailer hitch in both size and capacity. Eager Beaver can provide an appropriately sized pintle hook or ball when the trailer is ordered or through our parts department.

Attach the lunette eye or ball hitch to the nose plate using the holes that, once hitched, allows the nose end of the trailer to be 2"- 3" high at the front with the trailer unloaded. This will aid the trailer suspension in providing better weight distribution to all axles especially the rear. Once the trailer is loaded the trailer should be level or just a bit high in the front. The hitch should preferably be installed with the retaining bolt below the hitch if possible. Tighten the hitch shaft nut first until the lock washer is completely compressed, then tighten the retaining bolt nut until its lock washer is completely compressed.

CAUTION! Do not use any lunette eye, ball hitch or tow hitch that is excessively loose, large, damaged in any way or binds when the trailer turns.

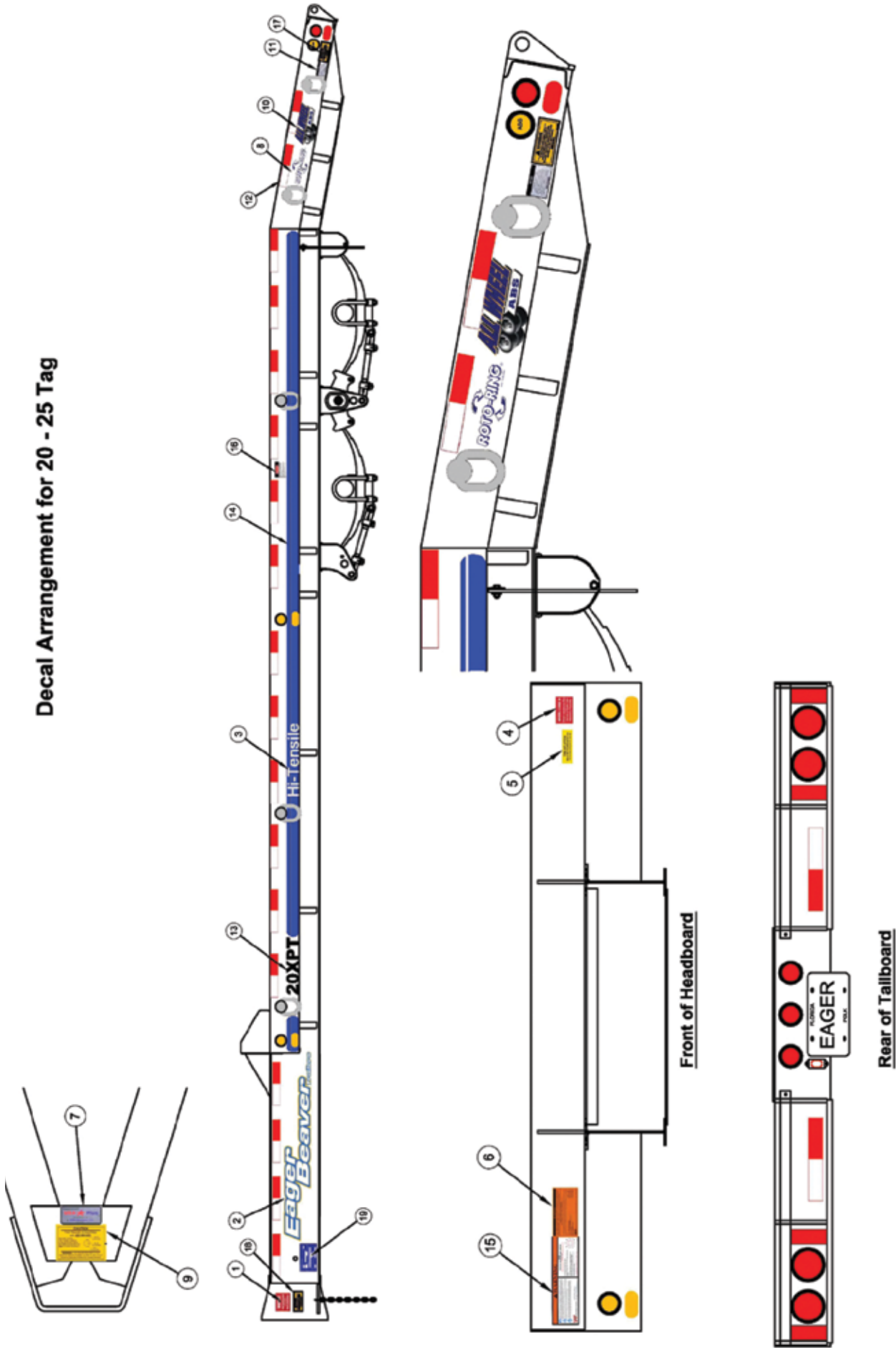
Truck Wiring See the trailer service manual for a schematic that shows how to properly wire the tow vehicle. For electric brake trailers, Eager Beaver can supply a proper truck harness and a brake controller. Refer to the literature provided with the brake controller for greater detail in installing the controller. Only a good sealing type tap connectors should be used for splicing into the truck wiring to prevent corrosion. Truck harness and controller sold separately.

Trailer Setup

All Tow Behind Trailers

- Electrical Cable** Plug electrical nose harness into the tow vehicle receptacle. Make sure that there is sufficient slack to allow trailer to fully articulate without the cable getting too tight or, at the same time, not allow it to touch the ground when traveling straight.
- Air Lines** On air brake trailers only, attach the two air line jumper hoses and check for the same slack clearance as for electrical cable.
- Safety Chains** Attach the chains by looping them through an appropriate lash ring on the tow vehicle and then securing the hook to a chain link. This is for our standard slip hook. If a safety hook with latch is used, then simply attach hook to the tow ring. The chains should be attached to the tow vehicle by using a crossing pattern, under the trailer tongue. Make sure that there is sufficient slack in the chains to allow the trailer to fully articulate without the chains getting too tight and yet not having the chains drag on the ground, when trailer is straight.
- CAUTION! Do not install chains on a tow vehicle that does not have an appropriate lashing ring for attaching chains.
- Break-away** On electric brake trailers, see the instructions supplied with the break-away switch. The instructions and miscellaneous parts for the break-away switch are shipped in the loose box of parts. The break-away system will only operate after both the coupling and safety chains have failed. The break-away is not a parking brake.
- Conclusion** The final step in any setup is to make sure that all systems, electrical, air, hitching or break-away, all function properly before the trailer leaves the dealers yard. A safe trailer is good for your customer and good for business.

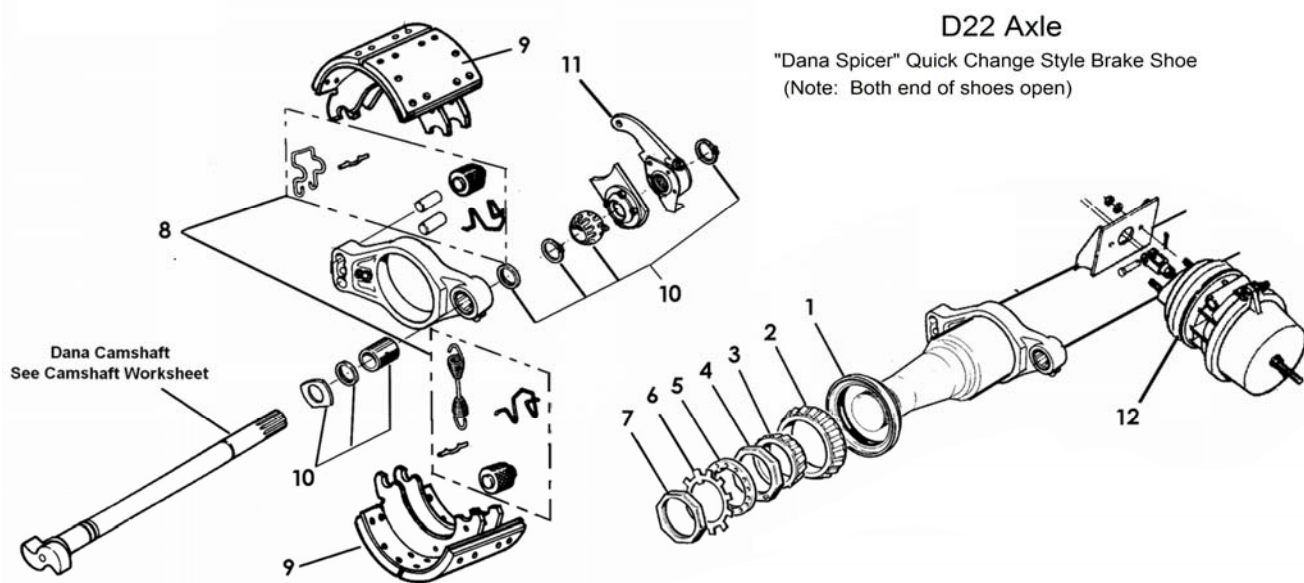
Decal Arrangement for 20 - 25 Tag



Eager Beaver 20 & 25 Ton Tag Trailer Decals

ITEM	PART #	QTY	DESCRIPTION
1	2059014	1	TRAILER CONNECTED WARNING
2	2059370	2	LARGE BLUE EAGER BEAVER, 8" H x 58" Long
	2062332		Optional MEDIUM BLUE EAGER BEAVER, 6" H x 37" L
3	2059325	2	HI TENSILE, WHITE
4	2059016	1	CHECK WHEEL LUG
5	2059162	1	TIRE INFLATION INFO
6	440025	1	HUTCH H9700 TORQUE (NOT IN KIT)
7	2062208	1	USA HARNESS DECAL (NOT IN KIT)
8	2060618	2	ROTO-RING
9	2062003	1	CAUTION TRAILER EQPT W / ABS BRAKES
10	2061051	2	ALL-WHEEL ABS
11	2062004	1	ABS INDICATOR LAMP INSTRUCTIONS
12	2060608	50	RED-WHITE CONSPICUITY STRIPING
13	440200	1	20 PT - WHITE
	2059170	1	20 HAL - WHITE
	2059294	2	20 HALX - WHITE
	2060841	2	20 XPT - WHITE
	2062014	2	25 XPT - WHITE
	2062171	2	25 XPL - WHITE
14	2059249	40	BLUE STRIPE (EB YELLOW TRAILERS)
	2061081	40	WHITE STRIPE (RED, BLUE, BLACK TRAILERS)
15	2062007	1	WEBB WHEEL TORQUE - HUB PILOTED Or 2059165 / Spoke Hub ; 2056558 / 10-Stud, BSM
16	2062179	1	DANGER SPRING BRAKES
17	2062173	1	REPLACE DAMAGED WOOD
18	2062174	1	PREVENT DAMAGE - LOAD ON EVEN GROUND
19	2062178	1	COLD DUAL VIN PLATE (NOT IN KIT)
	2062142	1	LIFT AXLE (25XPL ONLY)
	2062172	1	LIFT AXLE WARNING (25XPL ONLY)
	PART #		COMPLETE DECAL KIT (Hub Pilot, ABS, Conspicuity)
	2063511		20 HALX (BLUE STRIPING)
	2062180		20 XPT (BLUE STRIPING)
	2062181		20 XPT (WHITE STRIPING)
	2062182		25 XPT (BLUE STRIPING)
	2062183		25 XPT (WHITE STRIPING)
	2062191		25 XPL (BLUE STRIPING)
	2062192		25 XPL (WHITE STRIPING)

20-25 Tons with Dana D22 Axle Air Brake Components
Includes D22 Axles MFG by Hendrickson & AXN



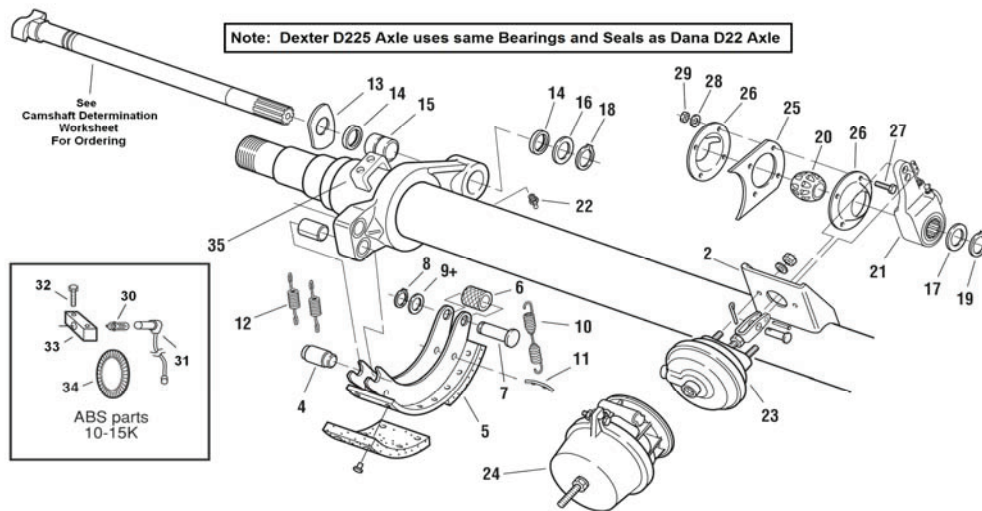
Item	Description	Part #
1	Seal	2055828
2	Inner Cone Bearing	2058309
3	Outer Cone Bearing	2058308
4	Inner Nut	2055836
5	Inner Lock Washer	2058268
6	Star Washer	2058267
7	Outer Nut	2059229
8	Brake Repair Kit (One Per Wheel)	2060956
9	Brake Pad (Two Per Wheel)	2060455
10	Cam Repair Kit (One Per Axle)	2062013
11	Slack Adjuster	2061083
not shown	Auto Slack Adjustment Bracket	2061084
12	Air Brake Chamber	2059596

Note: Items 8 - 11 are D22 Axle Unique and can NOT be used on Dexter D225 Axles

D22 Axles used exclusively between 1996 and 2012

Dana D22 & Dexter D225 Axles used extensively between 1994 & 1996 and after 2012

20-25 Ton with Dexter D225 Axle Air Brake Components

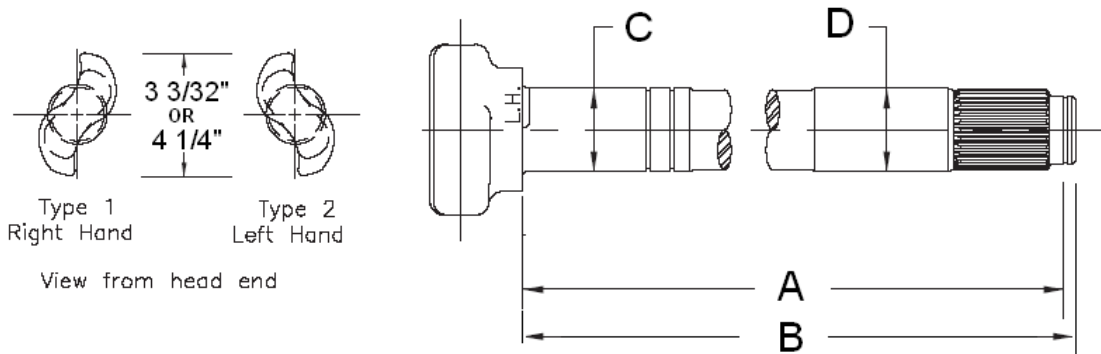


Item	Description	Dexter 22.5K Axle Part #
1	Camshaft LH or RH	See Worksheet
2	Air Chamber Bracket	2061091
3	Bushing Spider Anchor	In Brake Repair Kit
4	Anchor Pin	In Brake Repair Kit
5	"PQ" Brake Shoe (2 Per Wheel)	2060853
	"P" Brake Shoe (2 Per Wheel)	2055842
6	Roller	In Brake Repair Kit
7	Roller Pin	In Brake Repair Kit
8	Roller Pin Retainer	In Brake Repair Kit
9	Roller Pin Spacer	+ Not Used
10	Retractor Spring	In Brake Repair Kit
11	Retainer Pin	In Brake Repair Kit
12	Shoe Keeper Spring	In Brake Repair Kit
	"PQ" Brake Repair Kit (for 1 Wheel)	2060900
	"P" Brake Repair Kit (for 1 Wheel)	2058085
13	"D" Washer	In CAM Repair Kit
14	Grease Seal	In CAM Repair Kit
15	Camshaft Bushing	In CAM Repair Kit
16	Washer- Camshaft Spider End	In CAM Repair Kit
17	Camshaft Washer	In CAM Repair Kit
18	Retainer - Camshaft	In CAM Repair Kit
19	Retainer - Camshaft End	In CAM Repair Kit
20	Camshaft Support Bushing	In CAM Repair Kit
21	Slack Adjuster	See Worksheet
22	Grease Fitting	In CAM Repair Kit
	CAMSHAFT Repair Kit	2060632
23	Air Chamber (Pre ABS)	2058070
24	Spring Brake Chamber (Begin 1/1998)	2059596
25	Plate - Camshaft Support Bracket	2060363
26	Plate Bushing Retainer	2059399
27	Bolt, Retainer Plate	2060638
28	Lock Washer	2060637
29	Nut	2060636
30	ABS Sensor Retaining Clip	2062085
31	ABS Sensor with 1' Cable	2062086
	ABS 6' Sensor Extension Cable	2062102
32	Mounting Screw, Sensor Block	2060631
33	ABS Sensor Mounting Block	2060633
34	ABS Toner Ring (Supplied with Drum)	Special Order
35	ABS Sensor Block Base (Weld On)	2060634

Note: "P" Style Both Ends Open, Used Until 1992

"PQ" Style One End Open, Used between 1993-1996; Beginning 2013

Cam Shaft Determination & Ordering Worksheet



- Step 1 Decide whether the cam is a LEFT or a RIGHT hand and whether it is a SMALL (3 3/32") or LARGE (4 0") head.
- Step 2 Measure the length of the cam. It is best to provide both the dimensions "A", the distance from head to snap ring groove, and dimension "B", the distance from the head to the end of the cam.
- Step 3 Measure the diameter of the cam at both "C", just behind the head, and "D" just inside the spline.
- Step 4 Finally, determine whether the cam is a 10 spline or 28 tooth spline.

Please fill in the chart below when ordering a cam shaft

HEAD STYLE

LEFT HAND SMALL	<input type="text"/>
RIGHT HAND SMALL	<input type="text"/>
LEFT HAND LARGE	<input type="text"/>
RIGHT HAND LARGE	<input type="text"/>

DIMENSION

"A"	<input type="text"/>
"B"	<input type="text"/>
"C"	<input type="text"/>
"D"	<input type="text"/>

SPLINE

10	<input type="text"/>
28	<input type="text"/>

Fax the completed worksheet to Eager Beaver Trailers @ 856-423-0999.

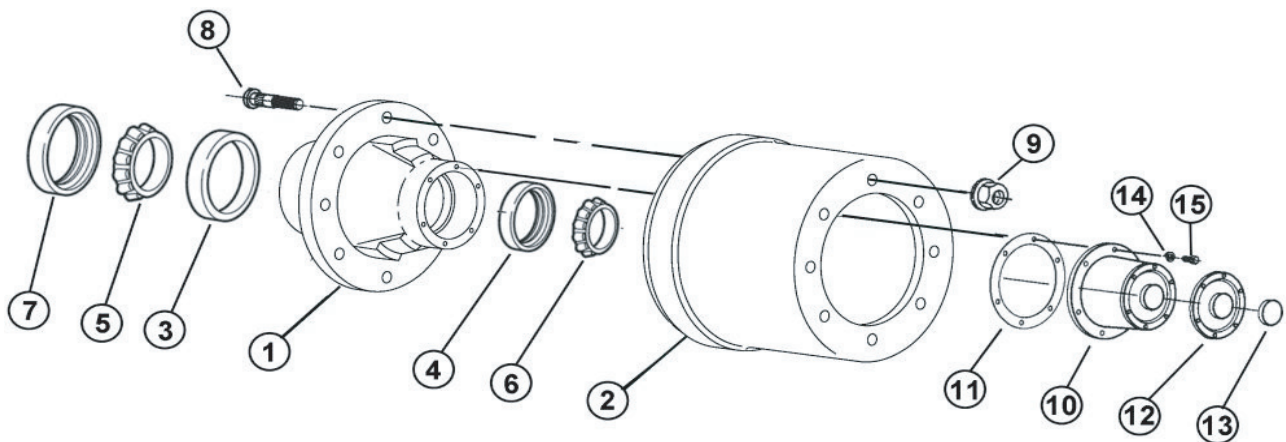
Your Name: _____.

Your Voice Tel #: _____.

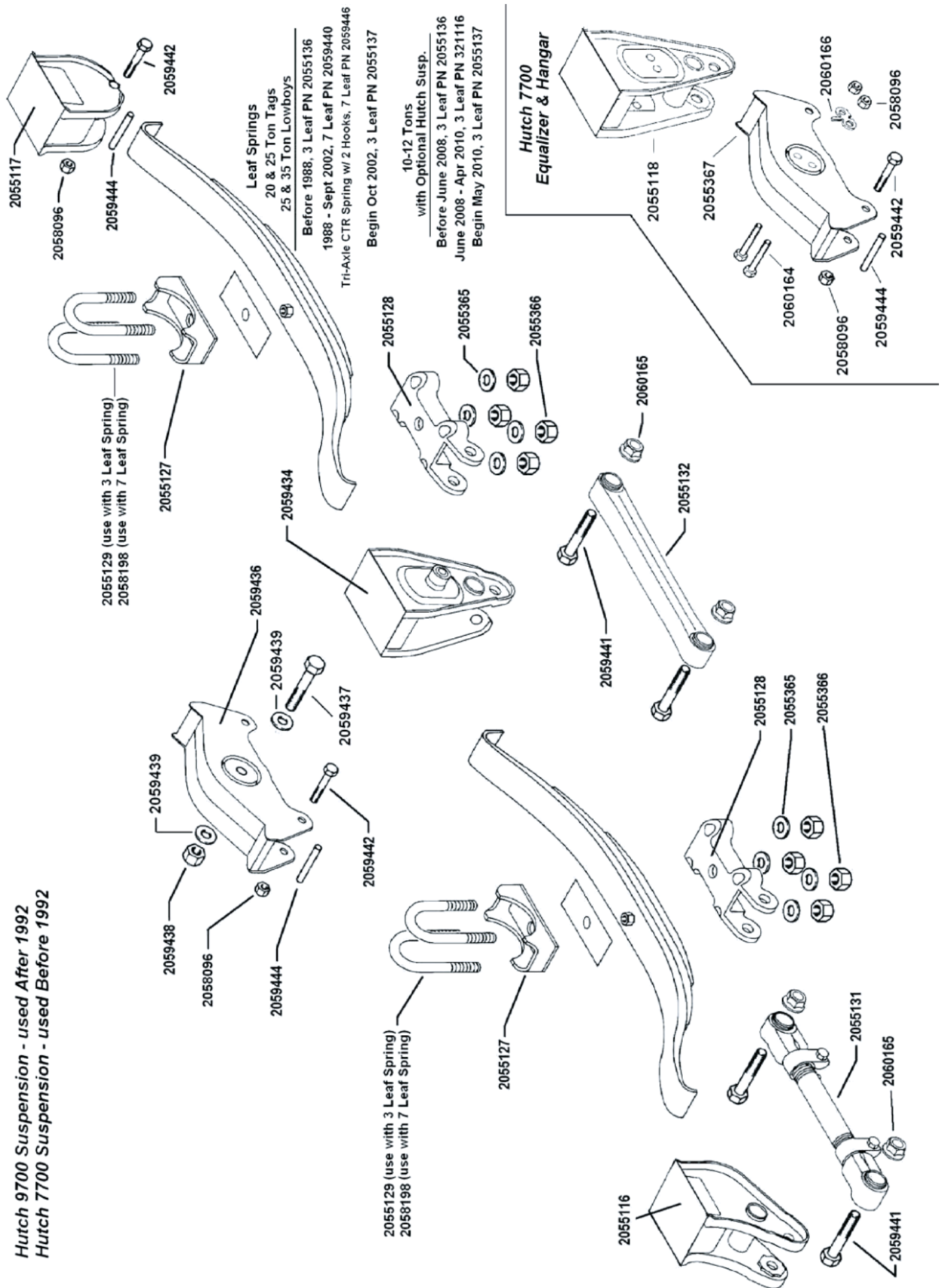
Eager Beaver Trailers 20 & 25 Ton Tag Webb 8 Stud Hub Piloted Hub With Outboard Drum

275MM (10.827") Diameter Bolt Circle; 12¼" X 7½" Brake Shoes

Item	Nomenclature	P/N	Remarks
1	Hub	2062151	Webb 20271 (w Studs & Cups)
2	Drum	2062152	Webb 63680F
3	Inner Bearing Cup	2058307	
4	Outer Bearing Cup	2058306	
5	Inner Bearing	2058309	
6	Outer Bearing	2058308	
7	Oil Seal	2055828	
8	Studs	2061085	M22 x 1.5 thread
9	Flange Nut, Long	2061086	31mm H, steel wheels in/out
	Flange Nut, Short	342431	27mm H, steel in/alum wheel out
10	Oil Cap w/ plug	2055089	Cap, includes window & plug
11	Gasket - oil cap	2055090	
12	Oil cap window kit	2058056	Window, gaskets, & plug
13	Vent Plug	2055749	
14	Lock Washer		Procure locally
15	Machine screw		Procure locally (5/16-18 x 3/4)



Hutch 9700 Suspension - used After 1992
Hutch 7700 Suspension - used Before 1992



Eager Beaver Trailers

Slack Adjuster Determination & Ordering Worksheet

When ordering Slack Adjusters, please provide the following information:

1. Whether Automatic or Manual
2. Whether adjuster arm (which attaches to air brake chamber) is Straight or Curved
3. Whether it has 10 or 28 Splines
4. Manufacturer name and any part numbers from old slack adjuster

Circle Applicable Feature on Below Matrix

		Slack Adjuster		
		EB Part #	Application	
Automatic Begin Oct 1994	Straight	10 Spline	2060873 2062263	C.B. 10-12 Ton ** Spicer, Haldex 20-25 Ton (pre-'97) *
		28 Spline	2060934	C.B. 10-12 Ton **; 20-25 Ton DX Axles ^
			2060971	Spicer, Haldex 35-60 Ton *
			2060940	C.B., Lowboys Only Begin 7/2009
	Curved	10 Spline	2060755	Spicer, Haldex 20-25 Ton (older) *
		28 Spline	2061083	Spicer, Haldex 20-25 Ton *
Manual Before Oct 1994	Straight	10 Spline	2058077	
	Curved	10 Spline	2059480	

* Spicer Automatic Slack Adjuster Bracket 2061084 Not included with Slack

** 10K axles - attach Brake Chamber Clevis to 5" Hole in Slack; 12K uses 6" Hole in Slack

^ 22.5K Dexter Axles used intermittently between 2-2014 & 2-2015; and extensively after 2-2015

Original Slack Manufacturer:

OEM Part Number on Original Slack

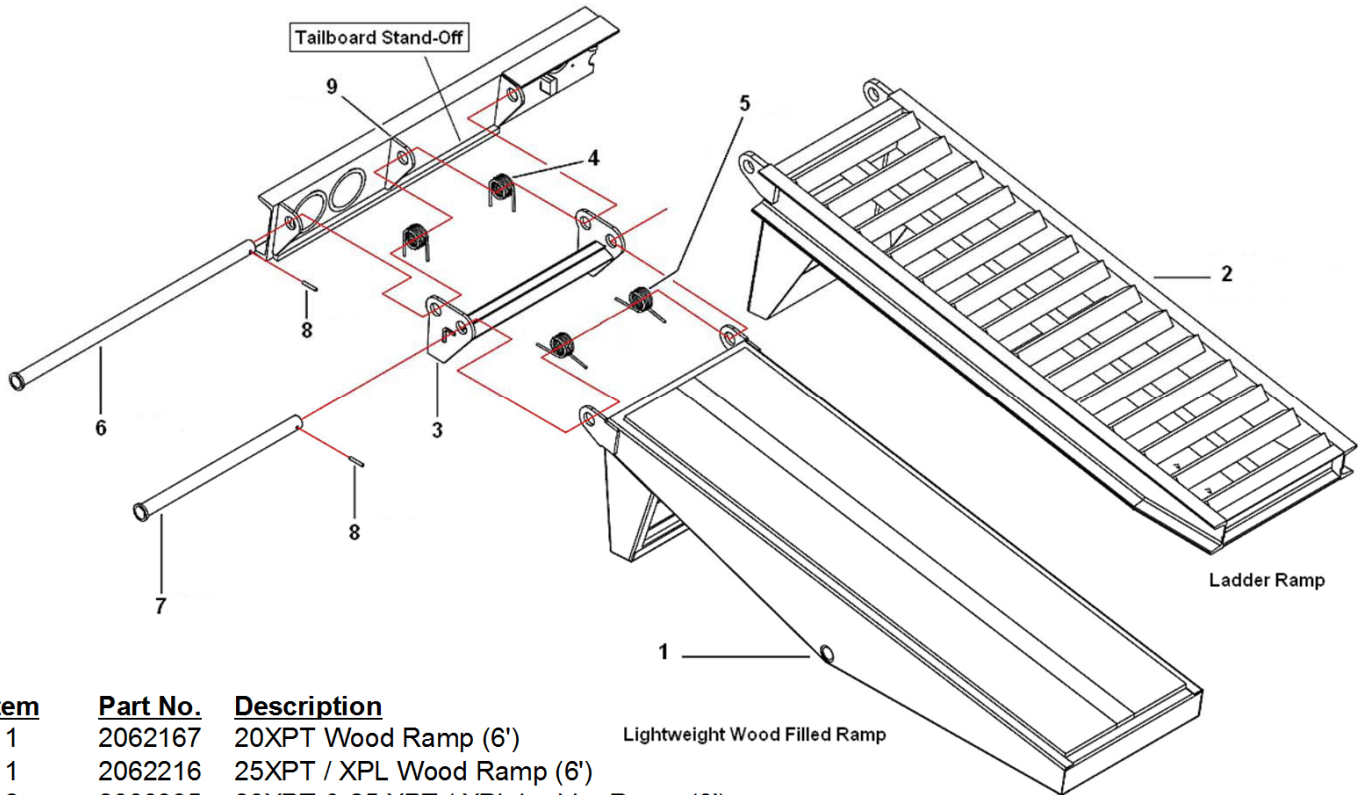
Fax your order to Eager Beaver Trailer Parts: 856-423-0999

Your Name:

Your Voice Telephone:

Eager Beaver Trailers - 548 Swedesboro Ave, Mickleton, NJ 08056
Telephone 800-338-7088; FAX 856-423-0999

Ramps and Linkage including conversion Kit 15 - 25 Ton Tag Trailers



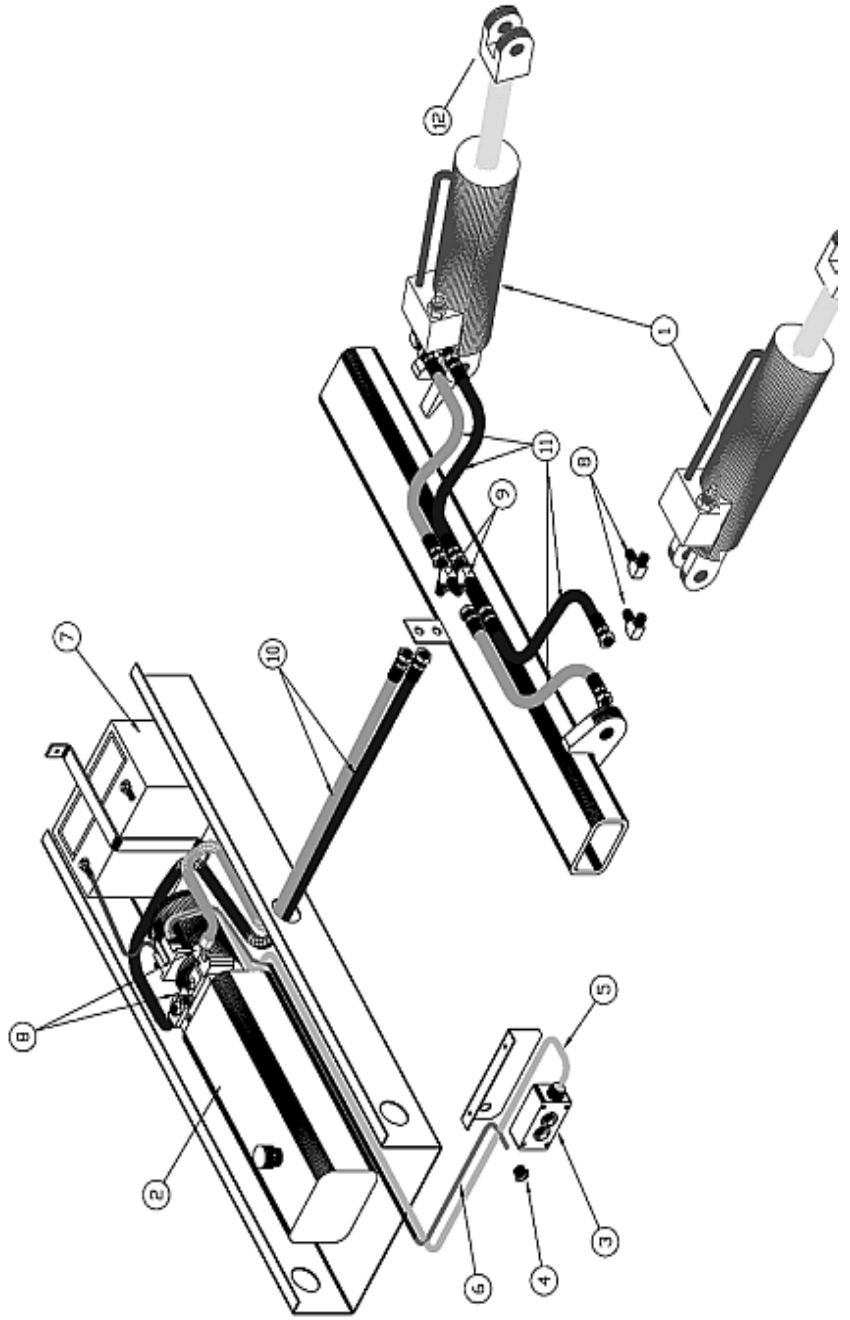
<u>Item</u>	<u>Part No.</u>	<u>Description</u>
1	2062167	20XPT Wood Ramp (6') Lightweight Wood Filled Ramp
1	2062216	25XPT / XPL Wood Ramp (6')
2	2060935	20XPT & 25 XPT / XPL Ladder Ramp (6')
3	2062168	Light Weight Wood Filled Ramp Movable Link 4.5" Hole to Hole Center (23" Wide)
3	2062340	Ladder Ramp Movabe Linkage (21" Wide)
4	2062135	Tail Board Side Spring (one leg longer)
5	2062134	Ground Side Spring (both legs same)
6	2059186	Ramp Pivot Pin 36.5"
7	2063220	Wood Filled Ramp 1.5" Dia. x 25" Long Pivot Pin
7	2063225	Ladder Ramp 1.5" Dia. x 23.5" Long Pivot Pin
8	2059020	Roll Pin - Ramps
9	2062169	Light Weight Ramp Fixed Link (3/8" thick for 15-20 Ton)
9	2059195	Light Weight Ramp Fixed Link (1/2" thick for 25 Ton)
none	2062333	Tailboard standoff, 1/2 x 3/4 x 35" bar stock (protects lights from spring damage)
	2063291	Conversion kit: SA to DA LW Wood (15-20T), includes items 3-8 and tailboard stand off
	2060966	Conversion kit: SA to DA Ladder (15-20T), includes items 3-8 and tailboard stand off

Note: Conversion Kits convert from Single Acting to Double Acting springs and contain quantity six of items 4 & 5.
 Note: Conversion Kits do NOT include ramps; order ramps separately

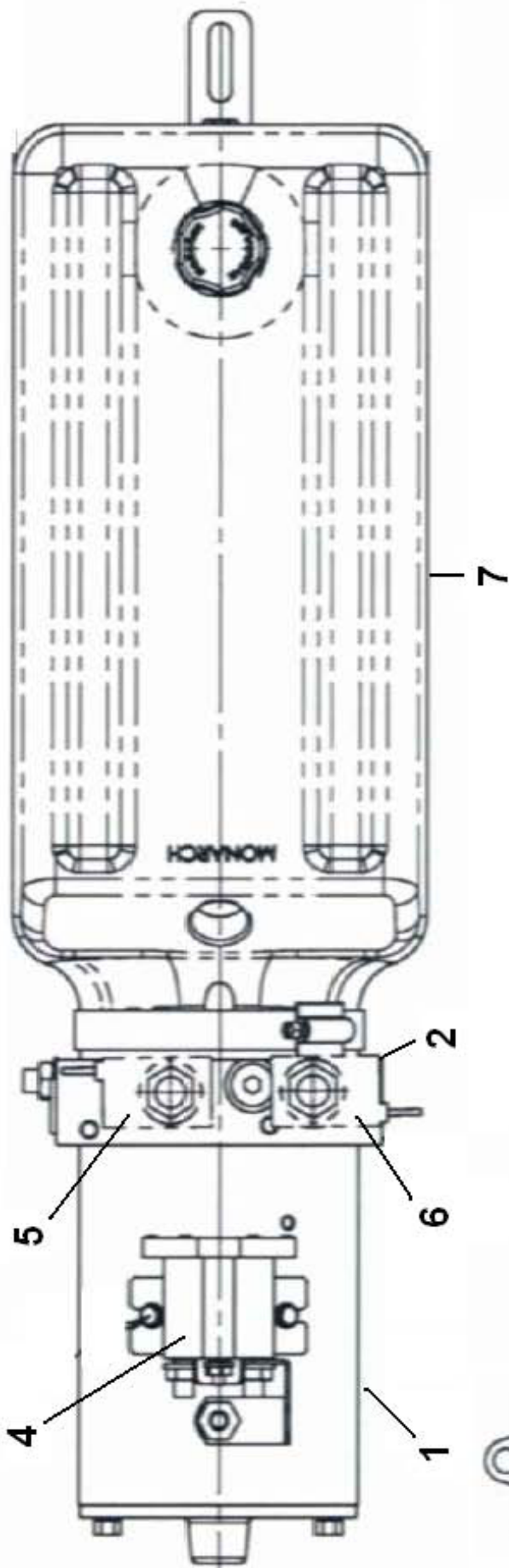
Eager Beaver Trailers

Electric Hydraulic Ramps with Counter Balance Lock (Since June 2007)

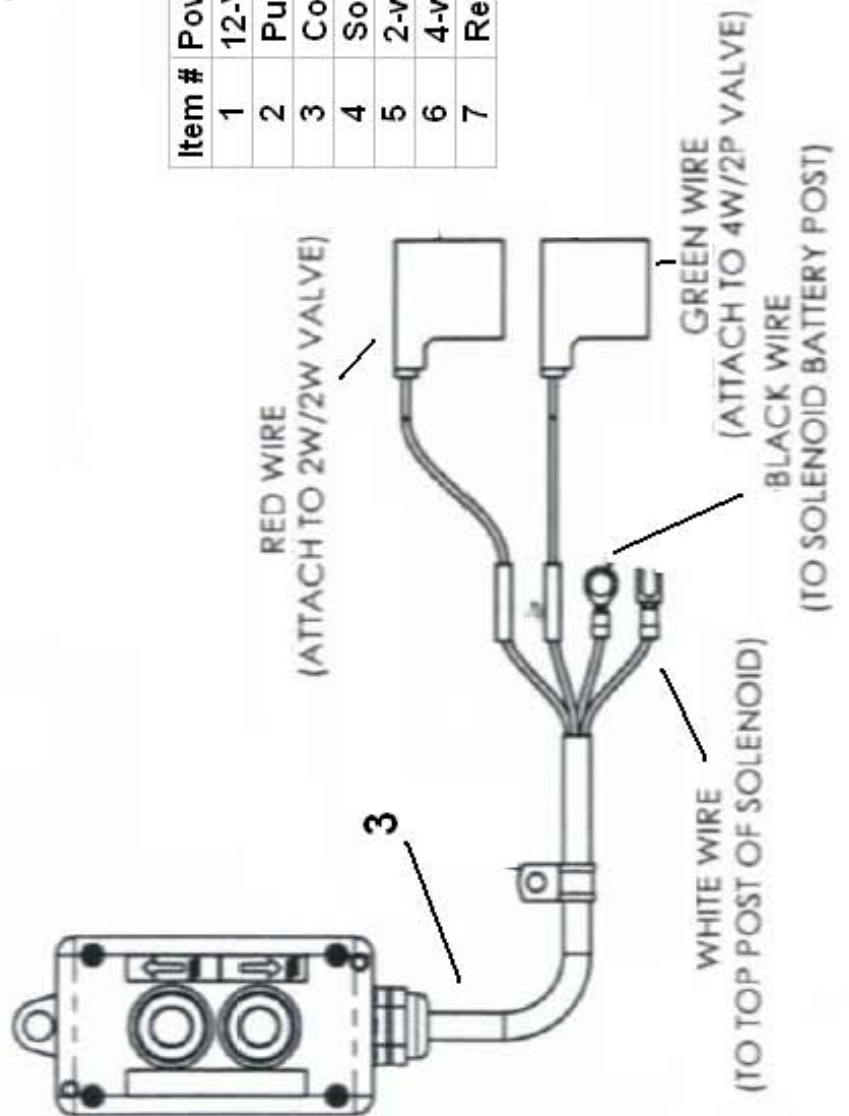
ITEM	DESCRIPTION	PN	NOTES
1	HYDRAULIC CYLINDER	2062326	4" Bore x 11" Stroke with Counter Balance Valve
not shown	PACKING KIT FOR HYDRAULIC CYLINDER	2059362	Prince PMCK-BH-0483
2	MONARCH M3551 MOTOR AND HYD PUMP	373002	
2a	VENT PLUG FOR HYDRAULIC RESEVOIR	2060007	
3	UP-DOWN CONTROL BOX	2057694	Includes Item # 5 Harness
4	ON-OFF SWITCH & KEYS (Waterproof)	2062304	Switch 95060-21 (begin 12-2014) ; -07 switch disc. will not work with -07 switch
4	Universal Spare Key for 95060-21 Switch Only	2059588	Cole Hersee PN M-489 (Prior to March 2008)
4	ON-OFF SWITCH & KEYS (Non-waterproof)	2062205	
5	CONTROL BOX HARNESS	Special Order	
6	HARNESS WITH DEUTSCH DT06-6S CONNECTOR	392612	For waterproof switch only (After Mar 2008)
7	BATTERY (WET CELL) (31DS)	Procure Locally	55 Amp Per hour
12	CLEVIS END ONLY (PIN NOT INCLUDED)	2062296	Also used on Lowboy Stinger Cylinder
12A	PIN, CYLINDER (CLEVIS END & CYLINDER BASE)	2060965	2 Pins per package (1" Dia x 3.1875" L)
not shown	SINGLE POLE PLUG, TRAILER	2057672	Plug Only; Cole Hersee PN 11042
not shown	SINGLE POLE RECEPTACLE, TOW VEHICLE	2057671	Receptacle Only; Cole Hersee PN 11041
	HYDRAULIC OIL	Procure Locally	All Purpose 10W Hydraulic Oil



Monarch Powerpack for Hydraulic Ramps

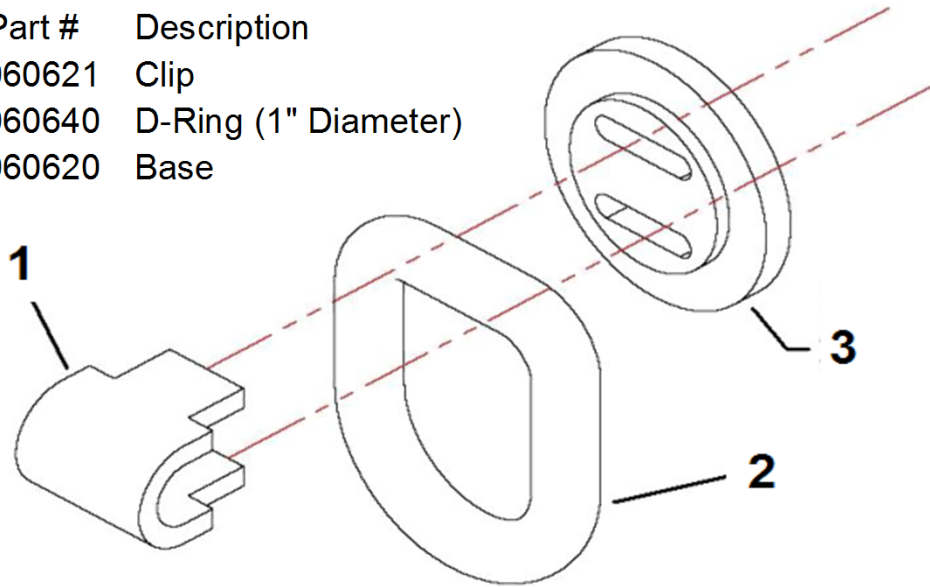


Item #	Powerpack Component	Monarch PN
1	12-VDC motor	8111
2	Pump	12171-250
3	Control Station	04334DH112-120
4	Solenoid Switch	17757
5	2-way cartridge valve	07193-D
6	4-way cartridge valve	00455-D
7	Reservoir	14168



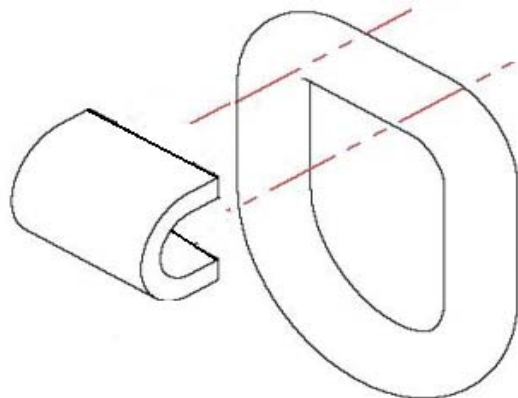
**Roto-Ring: 15,000 Lbs (360 Degree) Working Load Limit
Complete Roto-Ring Assembly Part # 2063020**

Item	Part #	Description
1	2060621	Clip
2	2060640	D-Ring (1" Diameter)
3	2060620	Base



Fixed D-Ring (D-Ring and Clip included)

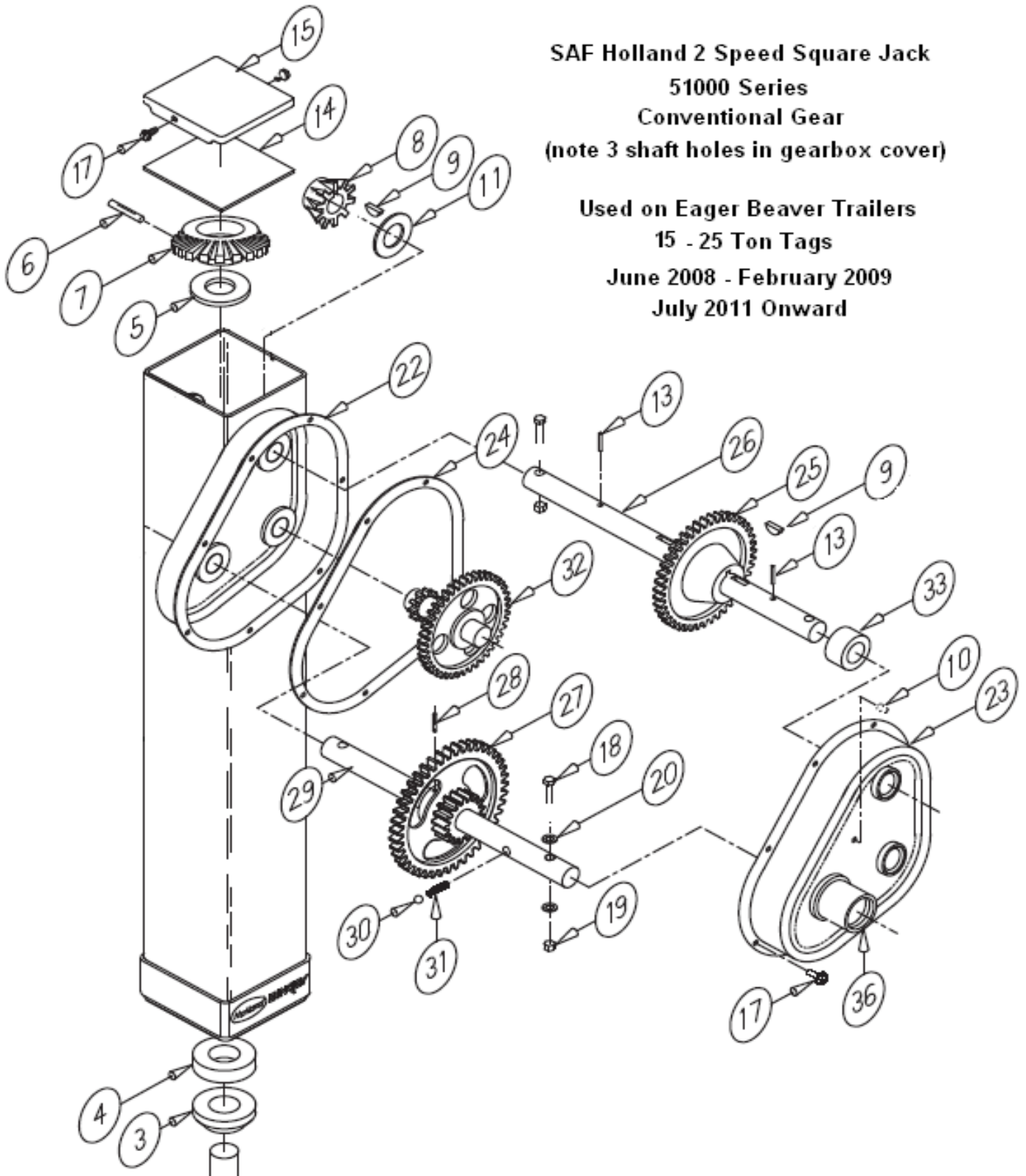
Part #	Description
2054792	1" Diameter - 15,000 Working Load Limit
2054733	5/8" Diameter - 6,130 Working Load Limit



**SAF Holland 2 Speed Square Jack
51000 Series
Conventional Gear
(note 3 shaft holes in gearbox cover)**

**Used on Eager Beaver Trailers
15 - 25 Ton Tags**

**June 2008 - February 2009
July 2011 Onward**



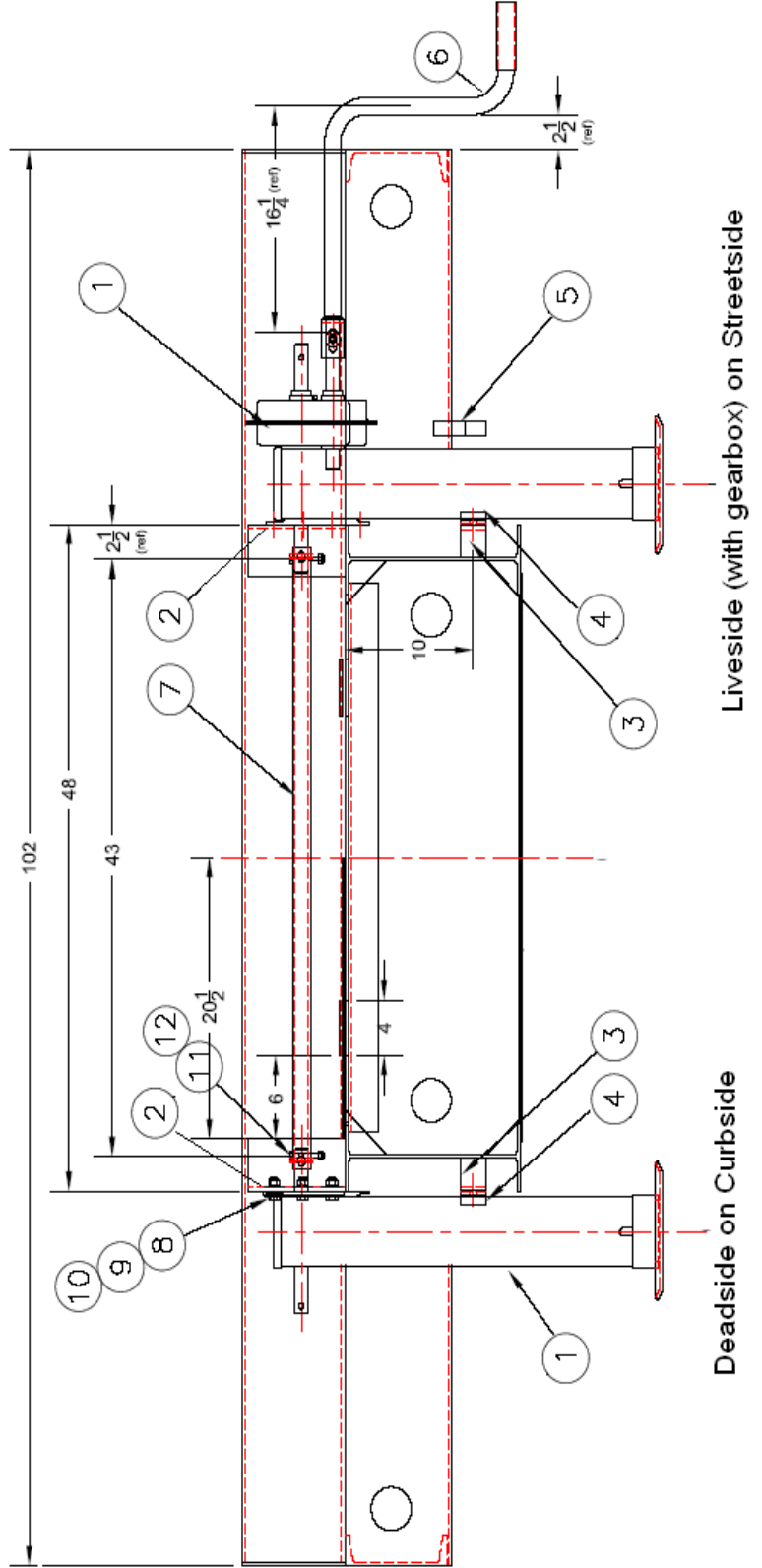
**SAF Holland RH51 (51000 Series) 2 Speed Square Jack
Conventional Gear (used from 6/2008 to 2/2009; After June 2011)**

Item #	Description	Qty	EBT Part	
			Number	Holland PN
3	COLLAR	1	2062315	X8-LG0544
4	THRUST BEARING	1	2062316	X8-BRG-013-77
5	WASHER	1	Spec. Order	X8-PW-016-62
6	GROOVE PIN 3/8 x 2	1	2062308	X8-GP-052-21
7	BEVEL GEAR	1	2062306	XA-LG0570-01
8	PINION GEAR	1	2062305	XB-LG1823-01
9	WOODRUFF KEY	2	2062317	X8-KEY-018-02
10	GREASE FITTING, 1/4-28	3	Spec. Order	X8-GRF-022-16
11	THRUST WASHER	1	Spec. Order	X8-PW-016-19
13	SPRING PIN, 1/4 x 1 1/2	2	2062318	X8-SP-014-27
14	COVER GASKET	1	2062309	X8-LGO893
15	TOP COVER	1	2062307	XA-LGO880
16	TAG, DATE OF MFG (NOT SHOWN)	1	NA	LG1430
17	SELF-TAPPING SCREW	9	Spec. Order	X8-STS-008-11
18	SCREW,HEX. CAP 3/8-16 x 2 1/4	1	Spec. Order	X8-HHC-050-42
19	SELF-LOCKING NUT 3/8-16	1	Spec. Order	X8-SLN-012-04
20	WASHER 3/8 STD. TYPE A	1	Spec. Order	X8-PW-016-03
22	GEARBOX HALF, INSIDE	1	Spec. Order	XB-LG0662
23	GEARBOX HALF, OUTSIDE	1	2062319	X8-LG0663
24	GEARBOX GASKET	1	2062320	X8-LG0428
25	OUTPUT GEAR	1	2062311	LG0543-01
26	JACK SHAFT R.H. UNIVERSAL MT.	1	2062313	LG0928
27	INPUT GEAR	1	2062312	LG0541-01
28	GROOVE PIN, TYPE E 1/4 x 1 1/2	1	2062321	X8-GP-014-07
29	SHIFT SHAFT, UNIVERSAL	1	2062314	LG0261-01
30	SHIFT LOCK BALL, STAINLESS STL.	1	2062322	X8-BAL-023-07
31	SHIFT LOCK SPRING, GALVANIZED	1	2062323	X8-SPG-020-36
32	IDLER GEAR	1	2062310	X8-LG0542-01
33	SPACER BUSHING	1	Spec. Order	XB-LG0219-01
36	SHIFT LOCK BOSS	1	Spec. Order	X8-LG0658-01
	COMPLETE JACK (No Handle)	1	2063013	
	JACK HANDLE	1	2055647	

BOM 2063010 for BDOW, 10-12 Ton Tag Landing Gear Assembly
BOM 2063011 for 15-25 Ton Tag Landing Gear Assembly

Item #	PN	Qty	Description
1	401032	1	2-SPEED LANDING GEAR SET *
2	141212	2	1/4X7.5X16.5 LAND/LEG BRKT PLATE
3**	141441	2	5/16X2X13.5 9-12TON L/G L/MNT BRACKET
3**	141442	2	5/16X2X14.5 15-25TON L/G L/MNT BRACKET
4	167025	2	3/8X2X10 SQ L/G LWR/BRKT
5	401045	1	J-HOOK,CRANK HANGER
6	401042	1	CRANK,BLACK (LONG) 20"(730112)
7	211005	1	1"SCH 40 X 41.5 L/G CROSS TUBE
8	412105	16	5/8-11X2 ZN HXHD CPSCRW GRD 8
9	412203	16	5/8-11 LOCKNUT UNC ZN
10	412304	32	5/8 US.STD FLAT WASHER ZN
11	412101	2	3/8-16X2.5 ZN HXHD TAP BL
12	411321	2	3/8-16 NYLOC LOCKNUT

* Set includes Live Side (with 2 Speed Gear Box) and Dead Side Jacks
 ** 141441 included with BOM 2063010; 141442 included with BOM 2063011



Tires & Wheels

Trailer Models 20XPT, 25XPL, 25XPT

215/75R17.5 Tires (standard) (18,160# per axle Dual Rating)

235/75R17.5 Tires (optional) (22,700# per axle Dual Rating)

Description	Part #
Wheel, 8-Stud, Hub Piloted, 6.75 X 17.5	2062125
215 Tire & Wheel Assembly (Hub Piloted)	999983
235 Tire & Wheel Assembly (Hub Piloted)	999986

Note: 8 Stud, Hub Piloted wheels standard since 2002



8-Stud Hub Piloted Wheel
(Shown Above)

Description	Part #
Wheel, 10 Stud BSM, 6.75 X 17.5	2060234
Wheel, Open Center, 6.75 X 17.5	2059206

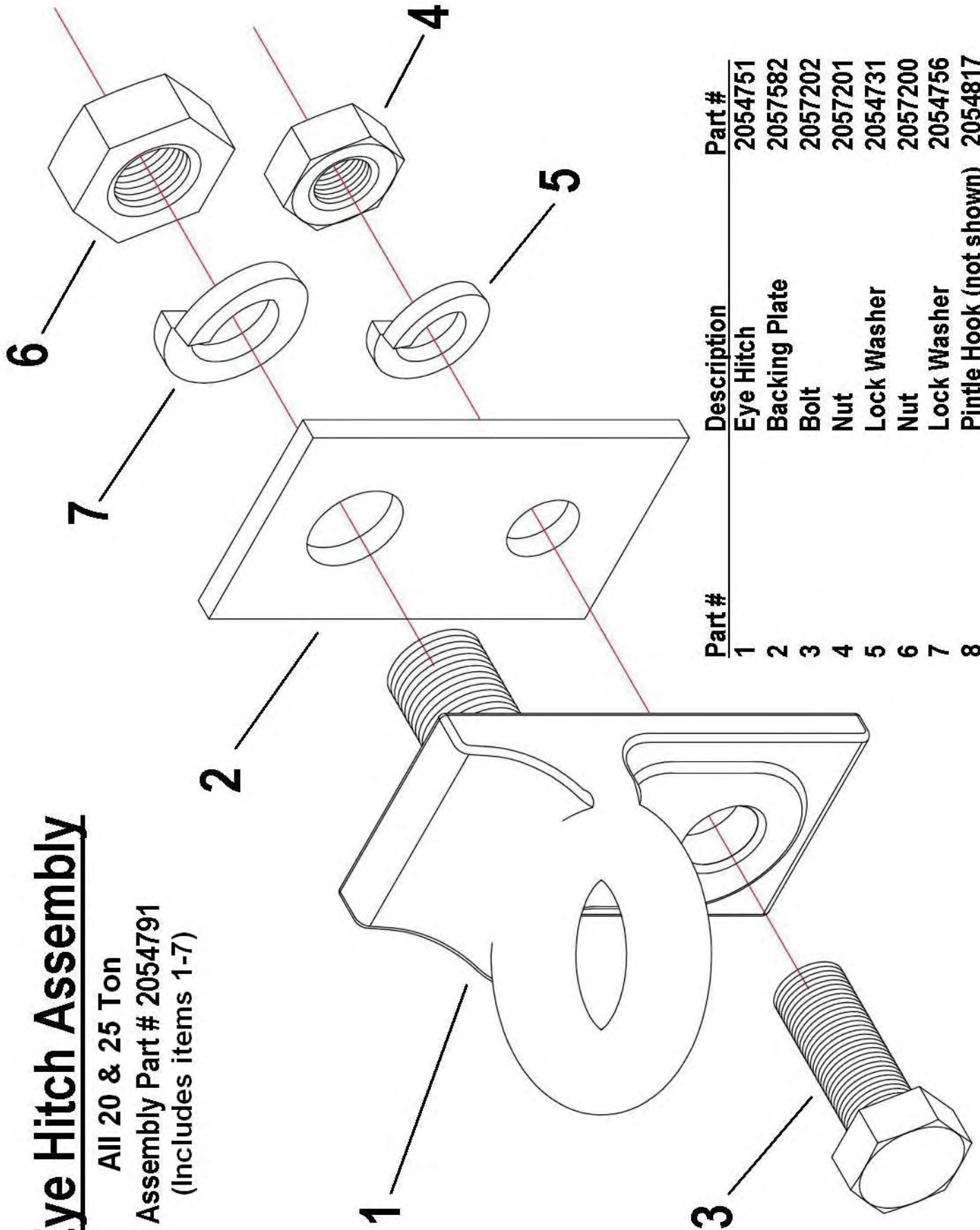
**10 Stud BSM (Ball Seat Mount) used between 1999-2001
Demountable Rims (Open Center) used prior to 1999**

Eye Hitch Assembly

All 20 & 25 Ton

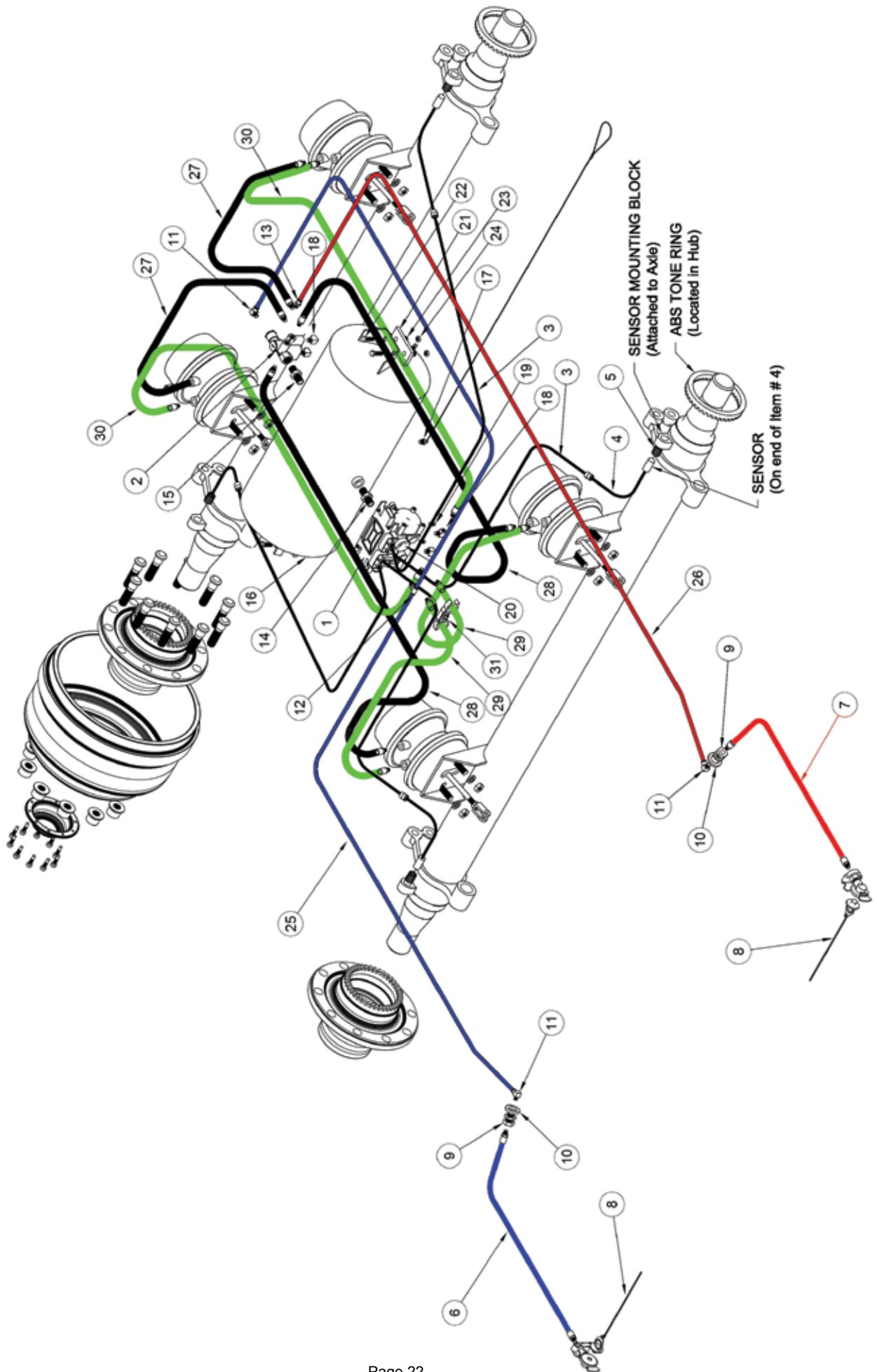
Assembly Part # 2054791

(Includes items 1-7)



Part #	Description	Part #
1	Eye Hitch	2054751
2	Backing Plate	2057582
3	Bolt	2057202
4	Nut	2057201
5	Lock Washer	2054731
6	Nut	2057200
7	Lock Washer	2054756
8	Pintle Hook (not shown)	2054817

ABS AIR SYSTEM DRAWING

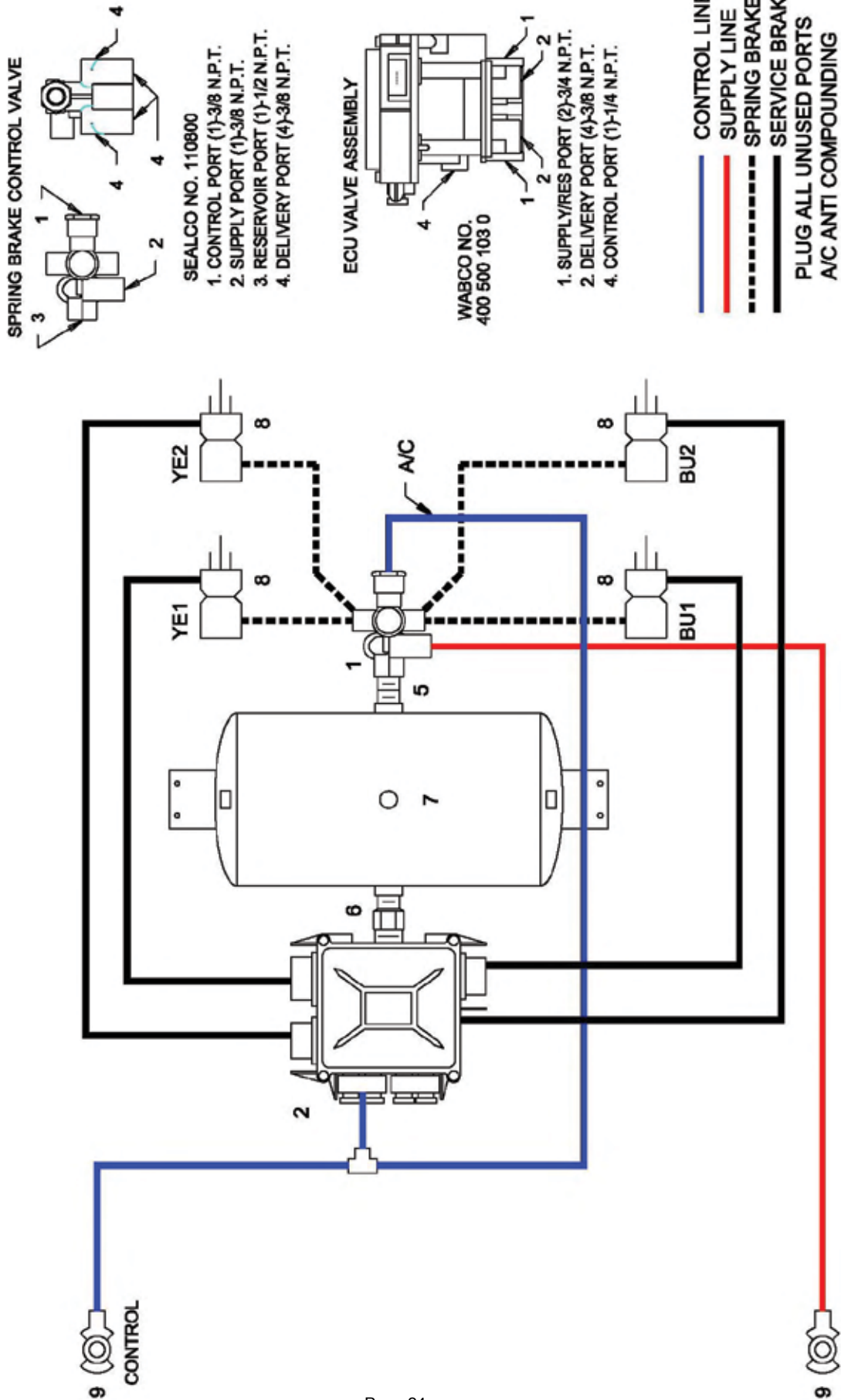


2 AXLE TAG WITH ABS PARTS LIST

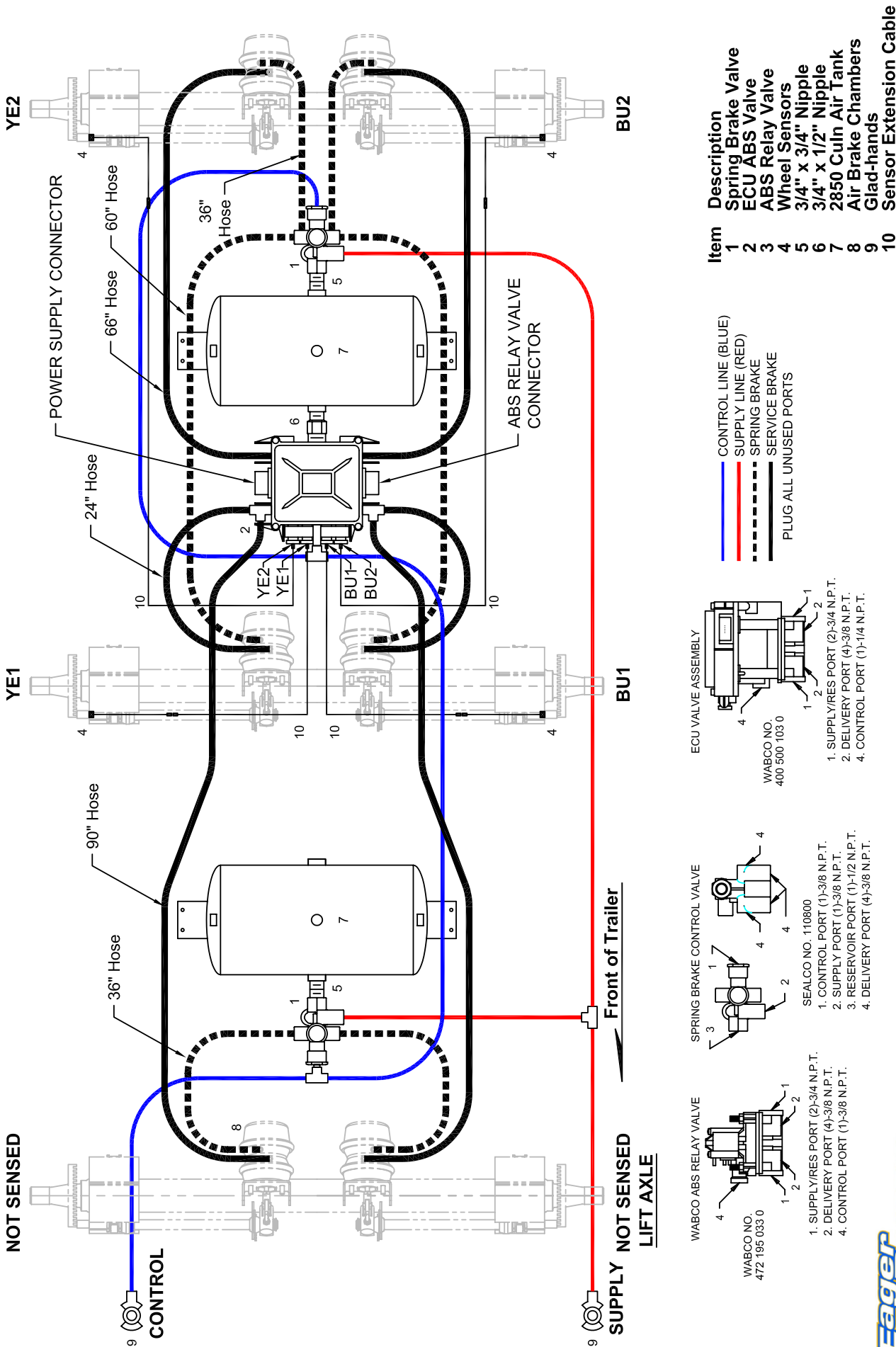
Item	PN	Qty	Description
1	2062139	1	4005001030 (2&3 AXLE ECU)
2	2062080	1	SPRING BRAKE VLV,SEALCO 110800
3	2062102	4	4497130180 6' SENSOR EXT CABLE
4	2062086	4	441-032-808-0 SENSOR W 1' CABLE
5	2062085	4	899-759-815-4 SENSOR CLIP
6	381001	1	3/8HOSE X 60" w /SERV, GLADHAND
7	381002	1	3/8HOSE X 60" w/ EMER, GLADHAND
7A	2055360	1	GLADHAND, SERVICE (BLUE)
7A	2055361	1	GLADHAND, EMERGENCY (RED)
7A	2059141	2	3/8" HOSE X 60"
8	2062131	2	SLOAN PACIFIER P/N 441721
9	2055359	2	3/8FPT-3/8FPT BULKHEAD FITTING (BRASS)
10	411471	2	1"SAE FLAT WASHER PLATED
11	382002	2	3/8T-3/8M SWVL 90 ELBOW (
12	381053	1	3/8T-1/4M SWVL BRNCH TEE
13	381031	1	3/8T-3/8M STRAIGHT CONNECTOR
14	381153	1	3/4"HD NIPPLE,SEALCO #6006
15	381156	2	3/4 MALE CON. 3/4TUBEX3/4
16	2062024	1	AIR TANK (2850) #HT-1242 2-PORT
17	2058065	1	REMOTE DRAIN VLV (350002-048)
18	382106	4	3/8 90°STRT ELBOW, BRASS
19	382162	4	3/8 SQHD PLUG (BRASS)
20	382163	1	3/4 HEXHD PLUG (BRASS)
21	420001	2	AIRTANK MOUNTING PAD #1068
22	411121	4	3/8-16X1.25 HEXHD CAPSCREW GR5
23	411501	8	3/8 STD FLAT WASHER, ZINC
24	411321	4	3/8-16 NYLOC LOCKNUT
25	381879	30	3/8OD NYLON BRAKE TUBING- BLUE
26	381878	30	3/8OD NYLON BRAKE TUBING- RED
27	2062120	2	36" 3/8 AIR BRAKE HOSE
28	2055693	2	60" 3/8 AIR BRAKE HOSE
29	2055692	4	24" 3/8 AIR BRAKE HOSE
30	2059140	2	66" 3/8 AIR BRAKE HOSE
31	411821	12	1/2ID HOSE SEPARATOR
	382156	1	1/2"X 3/4"HEX NIPPLE

4S-2M Air System Schematic

Tandem Axle Tag Trailers

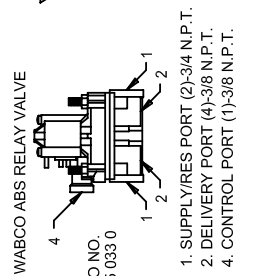
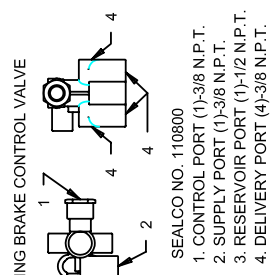
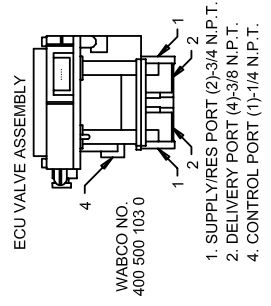


4S-3M Air System Schematic for 25XPL



Item	Description
1	Spring Brake Valve
2	ECU ABS Valve
3	ABS Relay Valve
4	Wheel Sensors
5	3/4" x 3/4" Nipple
6	3/4" x 1/2" Nipple
7	2850 Culin Air Tank
8	Air Brake Chambers
9	Glad-hands
10	Sensor Extension Cable

- CONTROL LINE (BLUE)
- SUPPLY LINE (RED)
- SPRING BRAKE
- SERVICE BRAKE
- PLUG ALL UNUSED PORTS

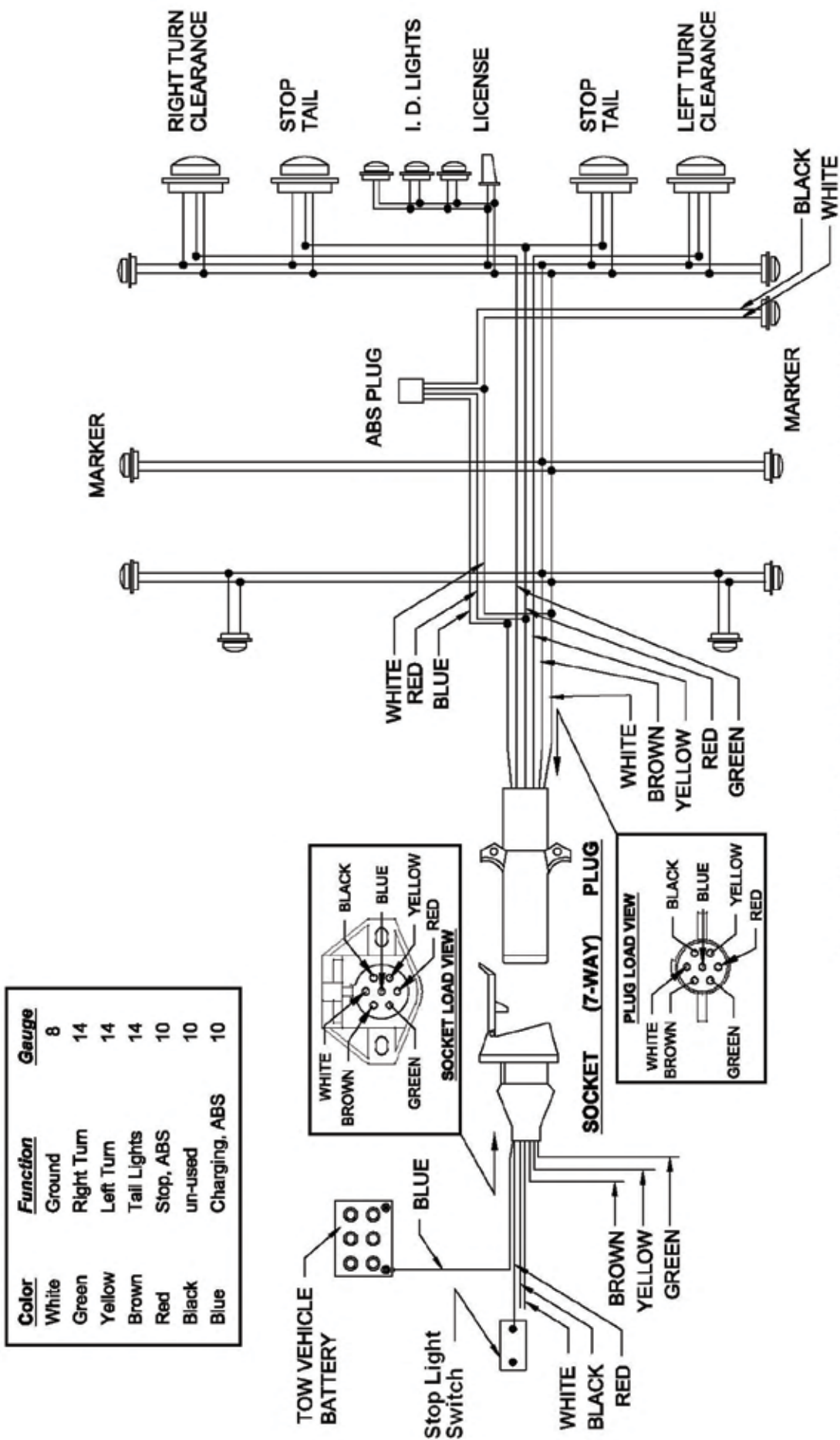


Note: ALL air lines and hoses must be properly routed and secured, so to prevent contact with any surfaces or each other.



General Engine Co., Inc. 14833 Highway 27, Lake Wales, Florida, USA, 33859, 1-800-274-8183
 This drawing and specifications are the property of General Engine Co., Inc. (GE) Eager Beaver Trailers
 shall not be reproduced, copied or used in any fashion without express written permission. Also, General
 Engine Co., Inc. shall not be held responsible for any errors, omissions, or inaccuracies in this drawing or
 without incurring any obligation to such changes.

Electrical Wiring Schematic for Tow Behind Trailers with ABS Brakes



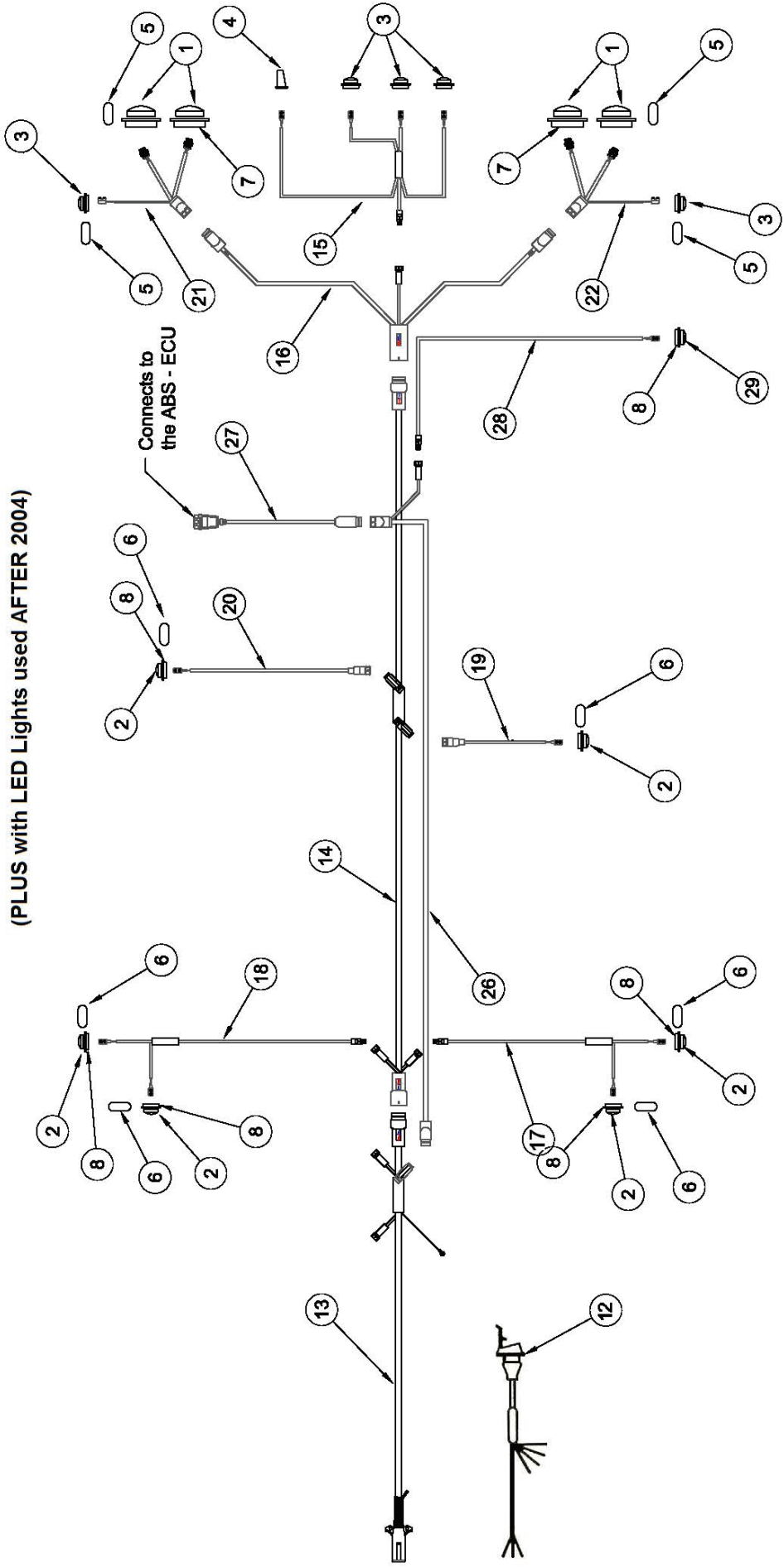
Notes: The Black wire is **NOT** used on trailers with ABS air brakes.

The White ground wire on the truck should be a good solid ground.

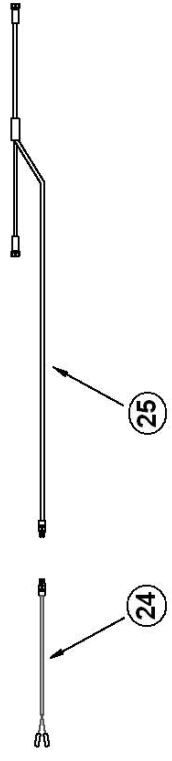
The Blue ABS wire on the truck **should** be keyed to the ignition and fused, 20-amp.

The Red stop light wire on the truck should be connected to the stop light switch.

**Eager Beaver 10 - 25 Ton Air Brake Electrical System
with "LED" Lights and USA Harness "PLUS" System Harness
(PLUS with LED Lights used AFTER 2004)**



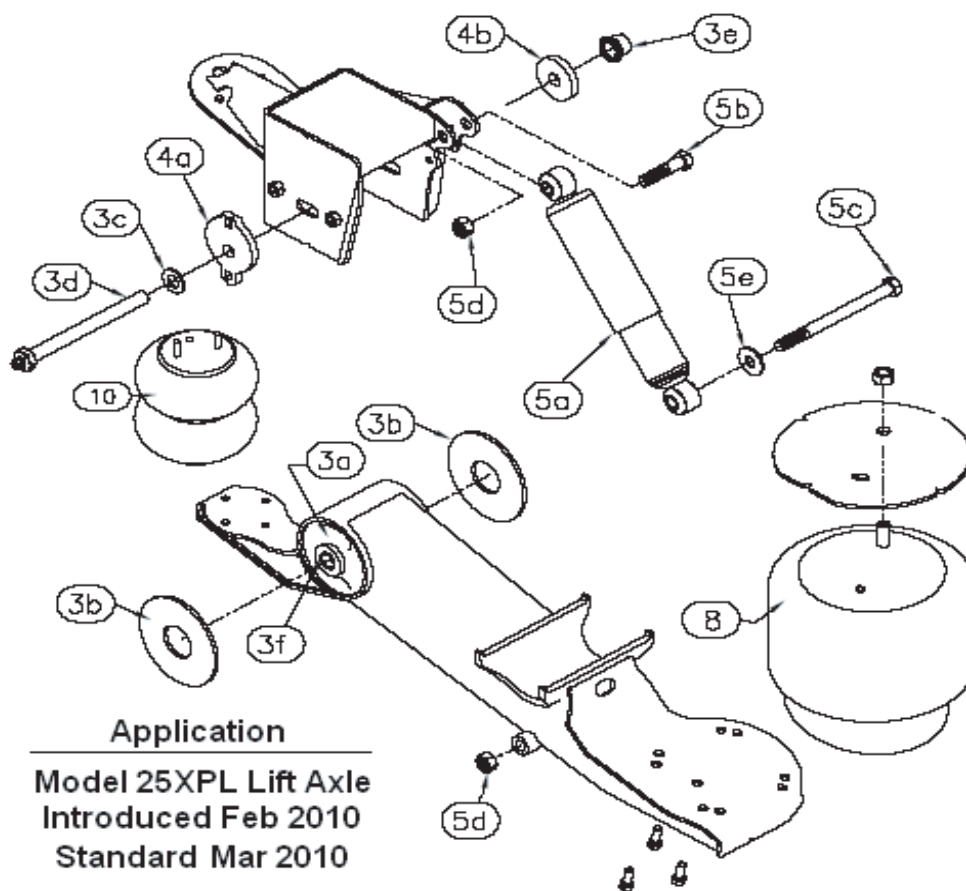
**10 - 15 Ton Electric Brake Add-On Harness
(Brake Away Switch Jumper & Electric Brake Harness)**



PLUS (Positive Lock Under Seal) Harness & LED Lights Parts List

Item	Part no	Qty	Description
1	2062094	4	S/T/T "LED" LIGHT
2	2062095	6	2.5" AMBER LED MARKER LIGHT
3	2062093	5	2.5" RED LED MARKER LIGHT
4	2057075	1	LICENSE PLATE LIGHT (Non LED, One-Piece)
4a	2057072	1	LICENSE PLATE LIGHT HOUSING (2-piece only)
4a	2057074	1	LICENSE PLATE LIGHT (Non LED, 2-piece only)
5	2062130	2	OBLONG RED REFLECTOR
6	2062129	6	OBLONG AMBER REFLECTOR
7	2057067	4	GROMMET, BLACK S/T/T 4"
8	2057069	12	GROMMET, MARKER 2.5"
9-11			not used
12	2060659	1	TRUCK HARNESS, 18', SAE J560 RECEPTACLE
13	2062107	1	TAG NOSE END, 12'
14	2062108	1	TAG 10-15 MAIN, 26' PLUS
15	2062193	1	TAILBOARD I.D., PLUS LED
16	2062061	1	TAILBOARD CENTER, ALL PLUS
17	2062194	1	FRONT MARKER, 2-LT, 39" PLUS LED
18	2062195	1	FRONT MARKER, 2-LT, 81" PLUS LED
19	2062196	1	CNTR MARKER, 4-POLE, 51" PLUS LED
20	2062197	1	CNTR MARKER, 4-POLE, 87" PLUS LED
21	2062198	1	C/S "LED" PGTL, TAG, 14" PLUS LED
22	2062199	1	S/S "LED" PGTL, TAG, 14" PLUS LED
23			not used
24	2062043	1	BREAK AWAY SWITCH JUMPER
25	2062042	1	ELECTRIC BRAKE HARNESS, 19'
26	2062039	1	TAG ABS ADAPTER, 210"
27	2062040	1	ABS POWER, 41"
28	2062041	1	MARKER, 2-POLE, 155"
29	2061097	1	ABS 2.5" MARKER LIGHT - NON LED
KIT	2062200	1	COMPLETE PLUS HARNESS ASSEMBLY *
* (Less ABS items 26, 27, 28 ; Less Elec Brake Items 24, 25 ; Less Item 12)			
* (Lights & Grommets also not included with Harness Assembly)			
KIT	2061048	1	ELECTRIC BRAKE ITEMS 24 AND 25
KIT	2062119	1	ABS AIR BRAKE ITEMS 26, 27 AND 28

CUSH CLC-25-005L (with Trac-Align)

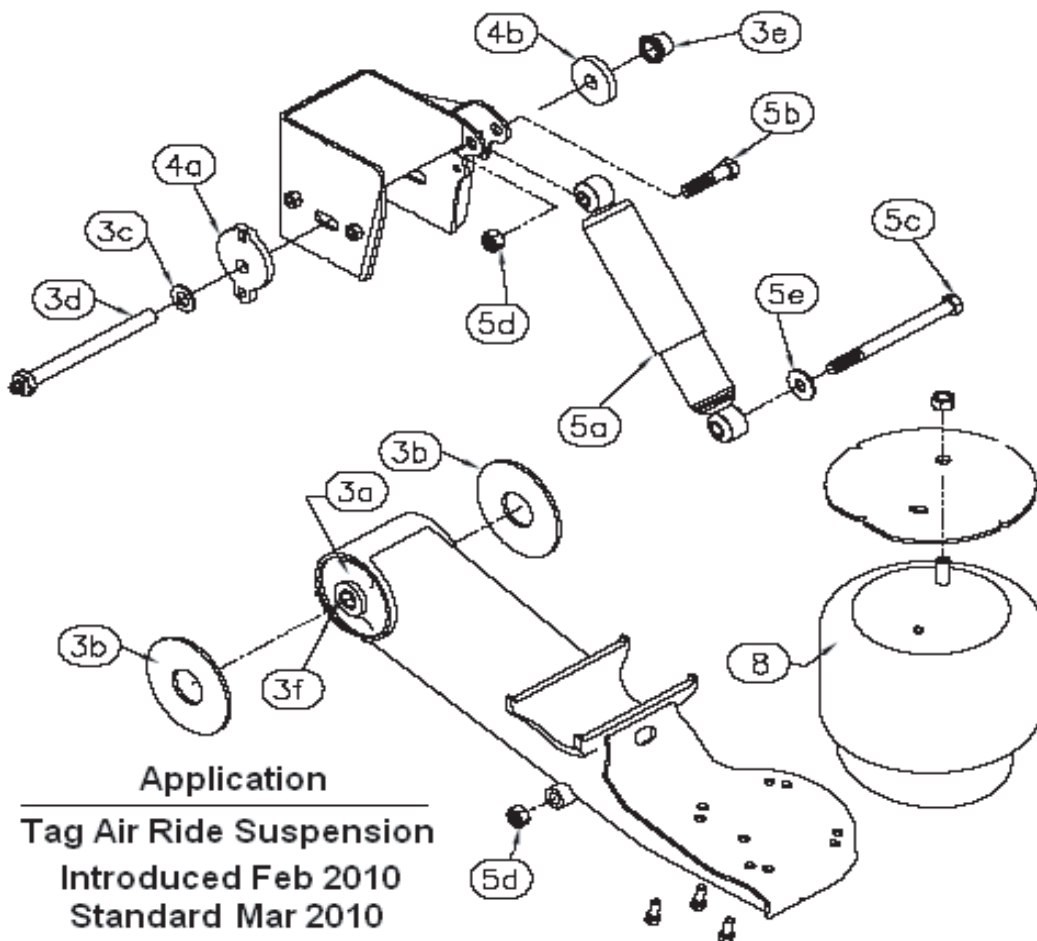


Application

Model 25XPL Lift Axle
Introduced Feb 2010
Standard Mar 2010

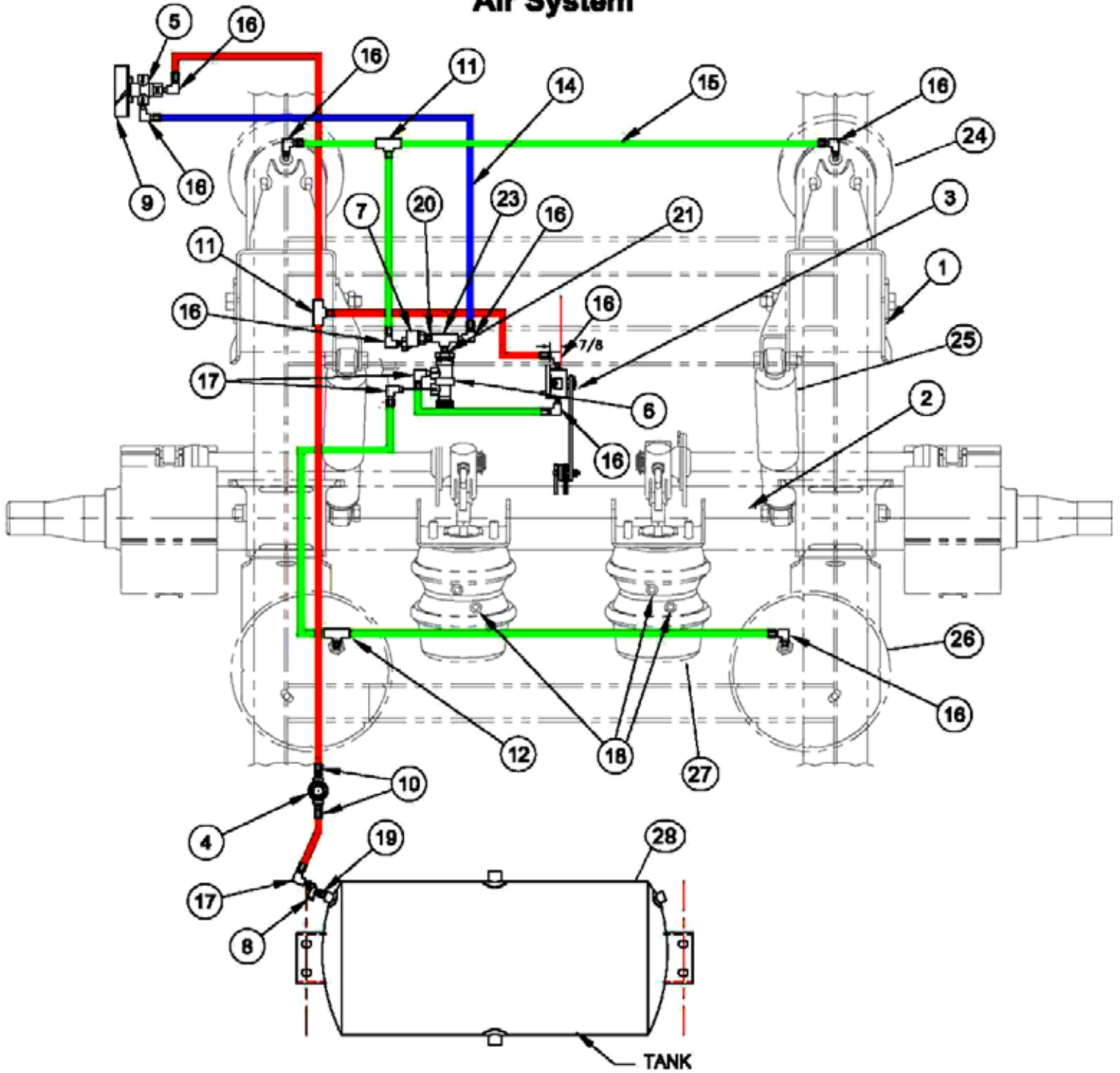
ITEM	DESCRIPTION	PART #
3a	Bushing Only, 6.75"L x 1.25" ID	2062281
3b	Wear Washer	2062282
3c	Washer, hard, 0.875 SAE ID	2062030
3d	E-20 Torx Bolt 0.875"-9UNC x 10"	2062285
3e	SecureLoc Nut 0.875"-9UNC	incl. w/ Bolt
3f	Reducer fm 1.25" OD to 0.9" ID	2062029
4a	Trac-Align, eccentric, outer	2062031
4b	Trac-Align, washer, inner	2062032
5a	Shock Absorber	2062170
5b	Bolt 0.75" - 10UNC x 3.25" GR 5	2062035
5c	Bolt 0.75" - 10UNC x 9.5" GR 5	2062036
5d	Nut, lock, 0.75" - 10UNC	2062037
5e	Washer 3/4" ID	2062038
8	Susp. Air Spring (1 per swing arm)	2062187
10	Lift Air Spring (1 per swing arm)	2062186

CUSH CLC-25-005 (with Trac-Align)



ITEM	DESCRIPTION	PART #
3a	Bushing Only, 6.75"L x 1.25" ID	2062281
3b	Wear Washer	2062282
3c	Washer, 0.875 SAE ID	2062030
3d	E-20 Torx Bolt .875"-9UNC x 10"	2062285
3e	SecureLoc Nut .875"-9UNC	incl. w/ Bolt
3f	Reducer fm 1.25" OD to 0.9" ID	2062029
4a	Trac-Align, eccentric, outer	2062031
4b	Trac-Align, washer, inner	2062032
5a	Shock Absorber	2062170
5b	Bolt 0.75" - 10UNC x 3.25" GR 5	2062035
5c	Bolt 0.75" - 10UNC x 9.5" GR 5	2062036
5d	Nut, lock, 0.75" - 10UNC	2062037
5e	Washer 3/4" ID	2062038
8	Susp. Air Spring (1 per swing arm)	2062187

994684 - 25XPL with CUSH Lift Air System





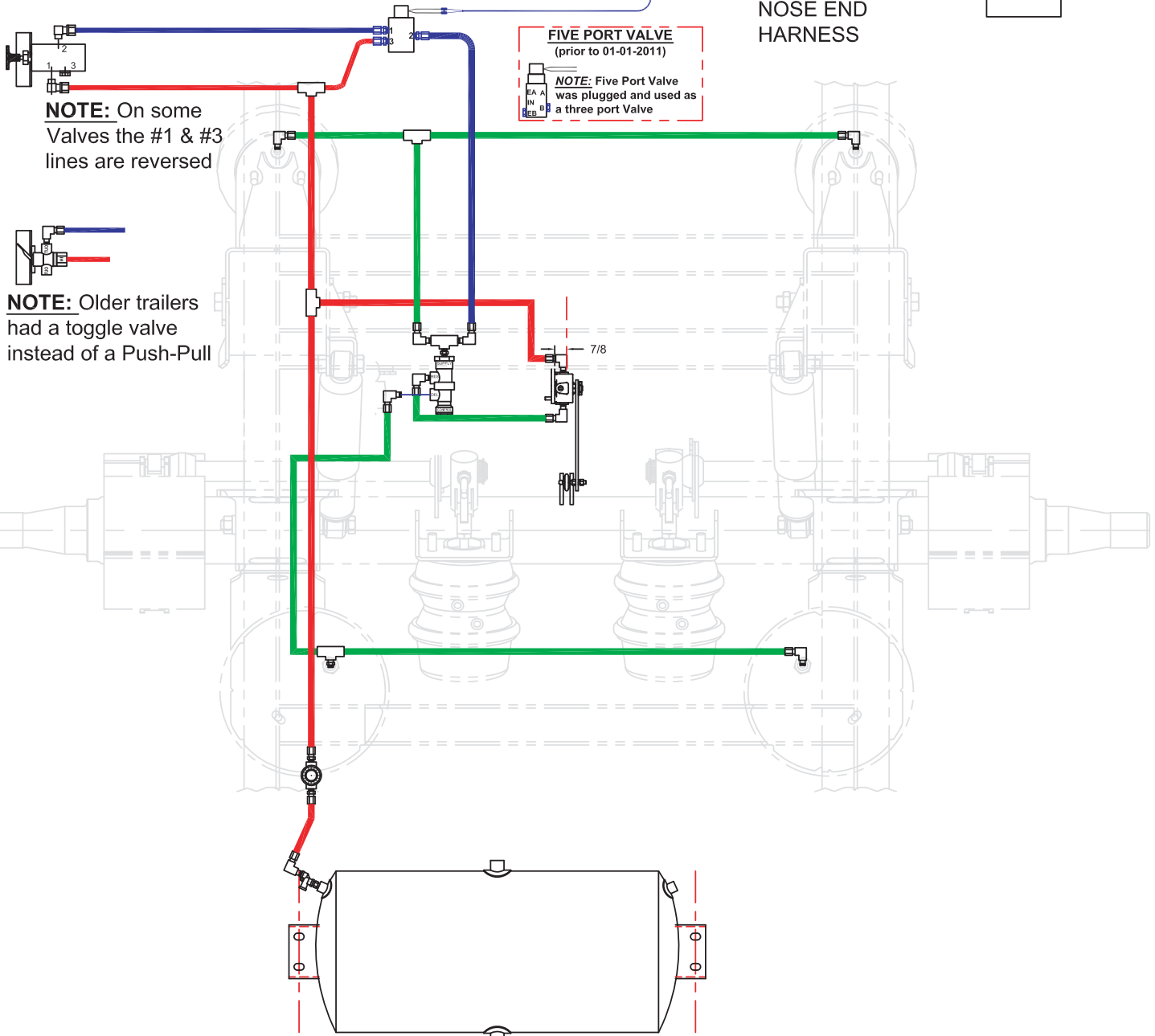
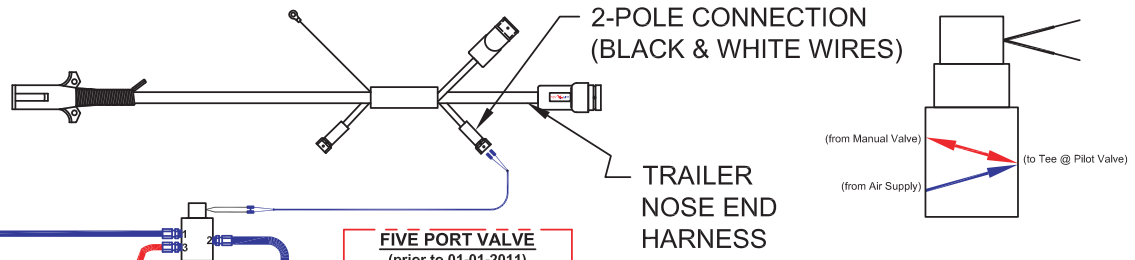
25 XPL CUSH LIFT AIR SYSTEM PARTS (994684)

(Toggle Valve used Before January 2007)

ITEM #	PART #	QTY	DESCRIPTION
1	322096	1	CUSH CLC-25-005 LOW MT LI FT
2	991935	1	25K77T HP ASS W/SB A/R AX ASSY
3	2062166	1	CUSH XPL HT CONTROL VALVE KIT
4	2062140	1	PRESS REG VALVE, FIXED @ 70 PSI
5	2062082	1	TOGGLE CTRL VLV SEALCO #21600-2
6	2060824	1	AIR PILOT VLV - SEALCO #110591
7	2062021	1	QUICK REL VLV P/N 3800
8	2062022	1	BRAKE PROTECT VALVE #140270
9	147251	1	12GA X 4X 4 PUSH-PULL VLV BRKT
10	381032	2	3/8T-1/4M STRAIGHT CONN (QCAB)
11	381041	2	3/8 TUBE UNION TEE (QCAS)
12	381053	1	3/8T-1/4M SWVL BRNCH TEE(QCAB)
13	381878	20	3/8 OD NYLON BRAKE TUBING-RED
14	381879	10	3/8 OD NYLON BRAKE TUBING-BLUE
15	381880	10	3/8 OD NYLON BRAKE TUBING-GREEN
16	382001	9	3/8T-1/4M SWVL 90 ELBOW (QCAB)
17	382002	3	3/8T-3/8M SWVL 90 ELBOW (QCAB)
18	382116	4	3/8 45°STRT ELBOW, BRASS, 3350X6
19	382150	1	3/8"HEX NIPPLE (BRASS)
20	382151	1	1/4"HEX NIPPLE (BRASS)
21	382154	1	3/8"X 1/4"HEX NIPPLE (BRASS)
22	382171	1	1/4 HEX SOCKET PLUG (BRASS)
23	383121	1	1/4 NPT BRASS TEE. WIH 3700X4
24	2062186	2	AXLE LIFT AIR BAG
25	2062170	2	SHOCK ABSORBER
26	2062187	2	SUSPENSION AIR BAG
27	2059596	2	SPRING BRAKE CHAMBER
28	2062024	1	2-PORT AIR TANK

994689 - 25XPL with CUSH Lift Air System with Manual and Solenoid Control / Push-Pull Valve

 Solenoid OFF - Inactive
 Solenoid ON - Activated



NOTE: On some Valves the #1 & #3 lines are reversed

FIVE PORT VALVE
(prior to 01-01-2011)
NOTE: Five Port Valve was plugged and used as a three port Valve

NOTE: Older trailers had a toggle valve instead of a Push-Pull



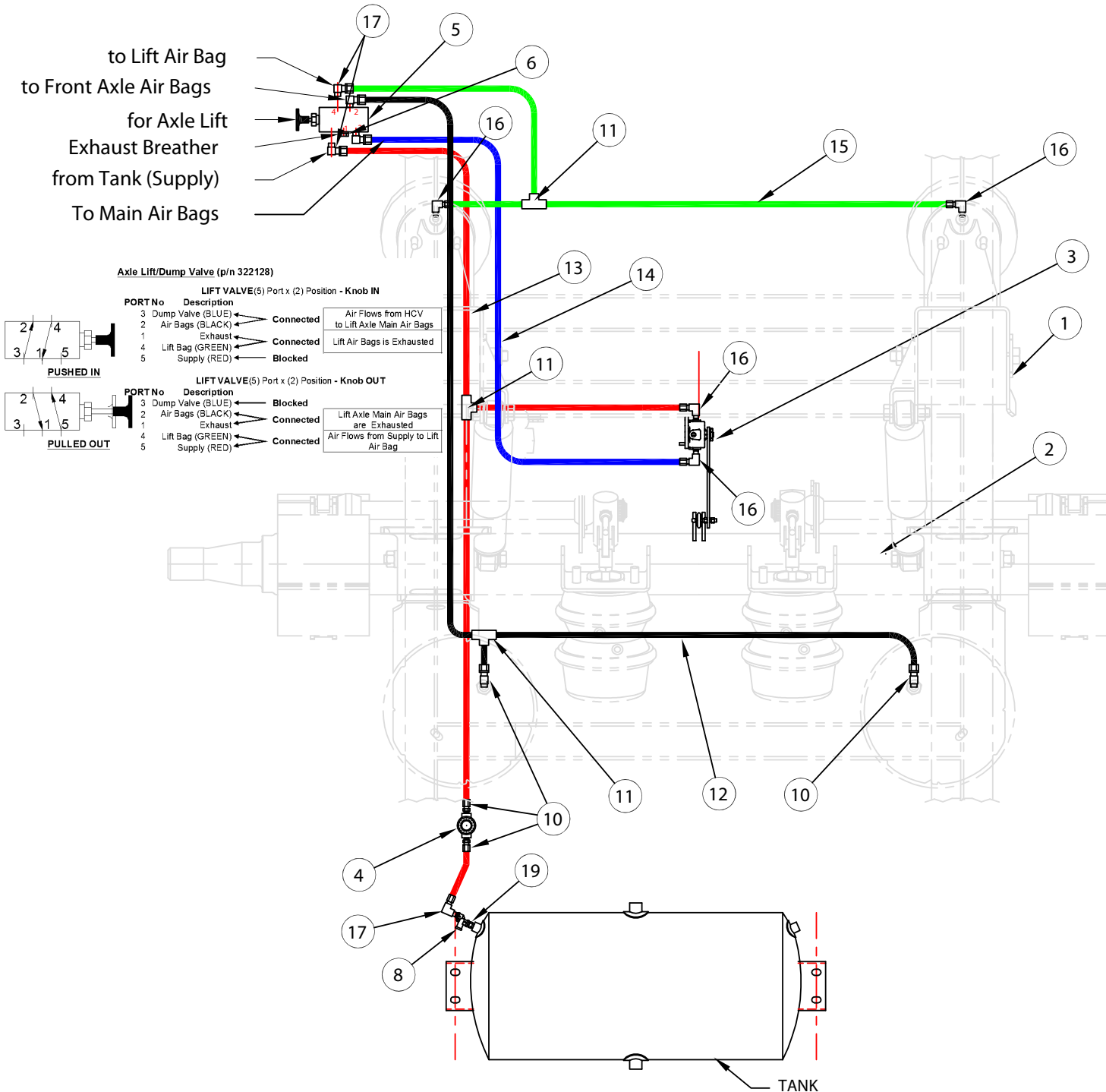
General Engines Co., Inc. 14693 Highway 27, Lake Wales, Florida, USA, 33859, 1-800-257-8163
This drawing and specifications are the property of General Engines Co., Inc. © Eager Beaver Trailers shall not be reproduced, copied or used in any fashion without express written permission. Also, General Engines Co., Inc. reserves the right to change designs, specification or materials without notice and without incurring any obligation to such changes.

Item	Part No	Qty	Description
1	322096	1	CUSH CLC-25-005 LOW MT LIFT
2	991935	1	25K77T HP ABS W/SB A/R AX ASSY
3	322072	1	CUSH XPL HT CONTROL VALVE KIT
4	322129	1	PRESS REG VALVE, FIXED @ 70 PSI
5	322130	1	2/3 PUSH-PULL VALVE (After 12-06)
	322132	1	TOGGLE CTRL VALVE (prior to 12-06)
6	322133	1	AIR PILOT VLV - SEALCO #110591
7	NOTE: Removed Quick Release Valve (12-22-10)		
8	322139	1	BRAKE PROTECT VALVE #140270
9	147251	1	12GA X 4X 4 PUSH-PULL VLV BRKT
10	381032	4	3/8T-1/4M STRAIGHT CONN (QCAB)
11	381041	3	3/8TUBE UNION TEE (QCAB)
12	381053	1	3/8T-1/4M SWVL BRNCH TEE(QCAB)

Item	Part No	Qty	Description
13	381878	20	3/8OD NYLON BRAKE TUBING- RED
14	381879	10	3/8OD NYLON BRAKE TUBING-BLUE
15	381880	10	3/8OD NYLON BRAKE TUBING-GREEN
16	382001	8	3/8T-1/4M SWVL 90 ELBOW (QCAB)
17	382002	5	3/8T-3/8M SWVL 90 ELBOW (QCAB)
18	382116	4	3/8 45° STRT ELBOW, BRASS, 3350X6
19	382150	1	3/8" HEX NIPPLE (BRASS)
20	NOTE: Removed 1/4" Tee (12-22-10)		
21	382154	1	3/8" X 1/4" HEX NIPPLE (BRASS)
22	382171	1	1/4 HEX SOCKET PLUG (BRASS)
23	383121	1	1/4 NPT BRASS TEE, W/H 3700X4
24	382145	1	SOLENOID VALVE 3-WAY 12VDC
26	392481	1	TAG MAIN JUMPER, 27"(2)POL PLUS

994684 - 25XPL with CUSH Lift

No Pilot Air System (Effective Jan 2007)



Item	Part No	Qty	Description
1	322096	1	CUSH CLC-25-005 LOW MT LIFT
2	991935	1	25K77T HP ABS W/SB A/R AX ASSY
3	322072	1	CUSH XPL HT CONTROL VALVE KIT
4	322129	1	PRESS REG VALVE, FIXED @ 70 PSI
5	322128	1	PUSH-PULL VLV ALKON TD6300,2/5
6	322155	1	SEALCO-EXHAUST SEAL P/N 110524
8	322139	1	BRAKE PROTECT VALVE #140270
9	147251	1	12GA X 4X 4 PUSH-PULL VLV BRKT

Item	Part No	Qty	Description
10	381032	4	3/8T-1/4M STRAIGHT CONN (QCAB)
11	381041	3	3/8TUBE UNION TEE (QCAB)
12	381881	20	3/8OD NYLON BRAKE TUBING- BLACK
13	381878	20	3/8OD NYLON BRAKE TUBING- RED
14	381879	10	3/8OD NYLON BRAKE TUBING-BLUE
15	381880	10	3/8OD NYLON BRAKE TUBING-GREEN
16	382001	4	3/8T-1/4M SWVL 90 ELBOW (QCAB)
17	382002	5	3/8T-3/8M SWVL 90 ELBOW (QCAB)



General Engines Co., Inc. 14893 Highway 27, Lake Wales, Florida, USA, 33859. 1-800-257-8163
 This drawing and specifications are the property of General Engines Co., Inc. dba Eager Beaver Trailers shall not be reproduced, copied or used in any fashion without express written permission. Also, General Engines Co., Inc. reserves the right to change designs, specification or materials without notice and without incurring any obligation to such changes.

Eager Beaver Trailers 20 & 25 Ton Tag

Miscellaneous Parts & Paint Codes

PART NO.	DESCRIPTION
2054869	Deck Washer
2059133	Hex Head Bolt, Deck Washer, 3/8 x 2 1/2
2059134	Nut, Deck Washer, 3/8-16
2059901	Self-Tapping TORX Head Ramp Screw, 5/16-18 X 2 1/2
2060510	Nose Plate, 15-25 Ton Only
2054819	100,000 # Pintle Hook (Wallace Forge)
2060834	Aluminum Extension Ramps (Set)
2060659	Truck Wiring Harness, 18' with SAE J560 Receptacle
2058065	Air Tank Remote Drain Valve
2059175	Glad Hand replacement rubber seal
2055360	Glad Hand - Brake Control Service (Blue)
2055361	Glad Hand - Tank Supply (Red)
2059431	Safety Chain, 1/2" x 41", with Clevis Hook
2059432	Weld-on Anchor, Safety Chain, 5/8" x 8"
2061064	Clevis Hook, 1/2", Spring Loaded
2062129	Oblong Reflector - Amber
2062130	Oblong Reflector - Red
2060735	Eager Beaver Trailers Mud Flap - White 24" x 18"
2054792	Weld-on 1" Dia. Fixed D-Ring & Clip (15,000# WLL)
2054733	Weld-on 5/8" Dia. Fixed D-Ring & Clip (6,130# WLL)
2063021	Weld-on Spare Tire Carrier for Hub Piloted Wheel

Eager Beaver Standard Colors	Manufactured After 8/6/10 Dupont Imron	MFG between 9/22/06 and 8/6/10 PPG Color Code
Yellow	H7947	FP827
Red	77968	FP703
Black	1640	FP901
Blue	3759	*
White	1632	FP951

* Custom Mixed Color, No Code Assigned

Eager Beaver Trailers

Tag Trailer Weld On Lockable Toolbox Lid Kits

Specify Part # and Color when Ordering

<i>Description</i>	<i>Part #</i>
<u>B6-9DOW</u>	
STD TOOL BOX ASS'Y	2063002
<u>10-25 TON</u>	
NEW TOOL BOX 43" BC (Two Jack Locations)	2063005 *
STD TOOL BOX 37" BC (One Jack Location)	2063003
STD TOOL BOX 43" BC (One Jack Location)	2063001
<u>15-20 TON WITH LANDING GEAR</u>	
TOOL BOX 43" BC (with Landing Gear)	2063008

Note: All Eager Beaver Trailers are manufactured with a steel tray plate in the draw bar. Therefore, Toolbox Lid Kits do NOT include a tray plate (i.e., a toolbox bottom).

Should a tray plate need to be replaced, a list of the more common Tray Plates is provided below:

12GAX35X26 37BC 10-25 SML TPLT (2 Jack Mts)	141275
12GAX35X35 37BC TRAYPLT (1 Jack Mt)	141203
12GAX41X26 43BC 10-25 SML TPLT (2 Jack Mts)	141274 *
12GAX41X38 43BC 10-25 SML TPLT (1 Jack Mt)	141276
12GAX41X45 43BC TRAYPLT (15-25 Ton with L/G)	141202

* Standard Production since 2002